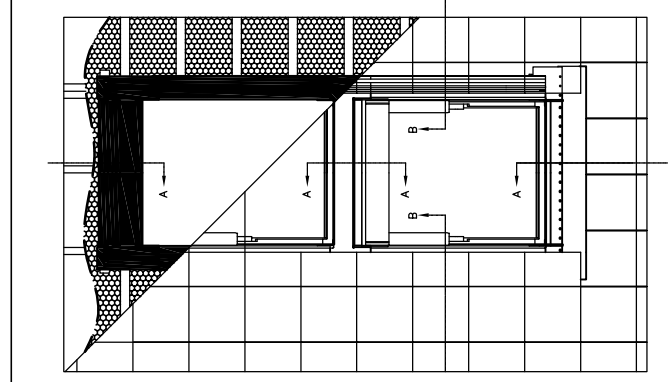
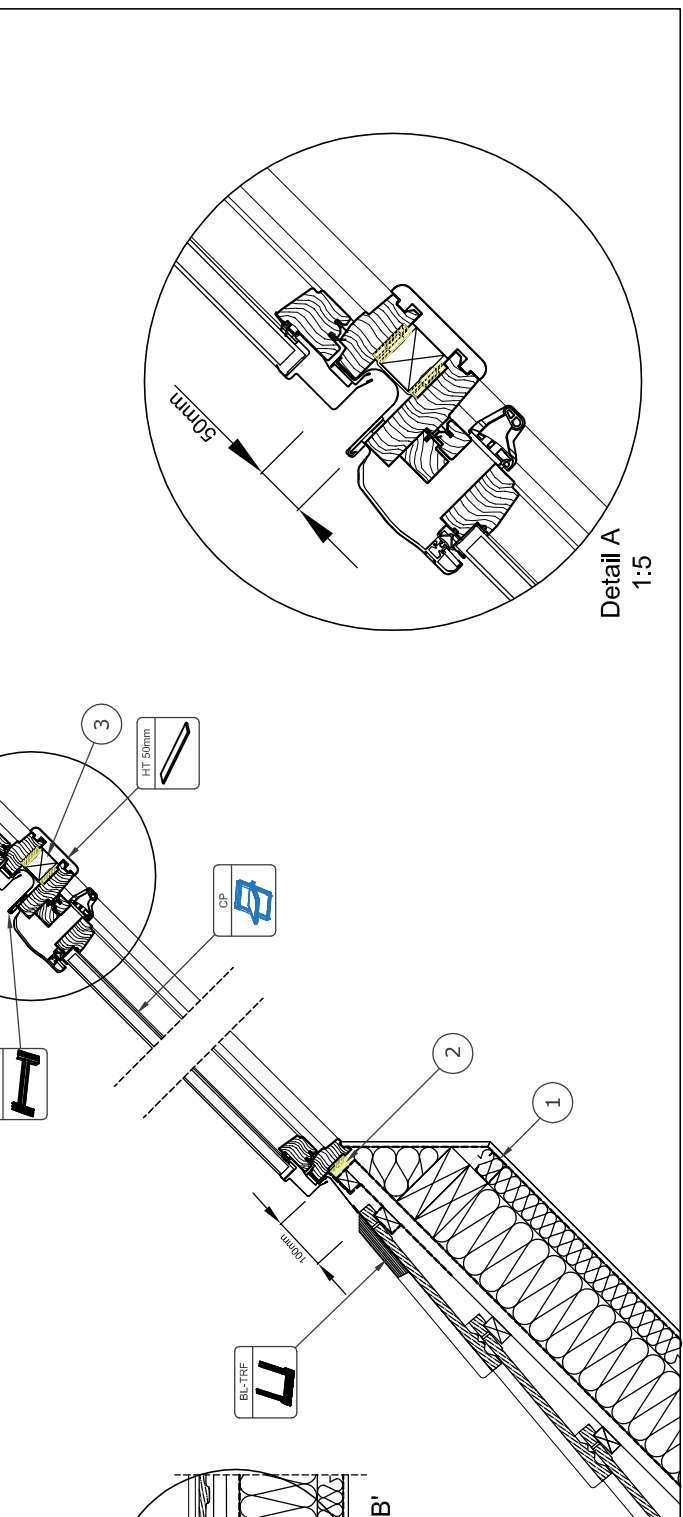


INDICATIVE SECTIONAL VIEW



Section A-A' 1:10
Section B-B' 1:10



Detail A 1:5
Detail B 1:5

www.keyliterate.com Tel: 028 8975 8921 Fax: 028 8975 8923 Keylite Roof County Tyrone, Northern Ireland BT 89 9LL		Roofing Style 	Window 	Flashing 	Felt Collar 	Vapour Collar 	Horizontal Trim 	Angle 	DWG No. CP-BL-TRF-2 Rev. A 2018	Scale 1:5 1:10	Format A3
---	--	-------------------	------------	--------------	-----------------	-------------------	---------------------	-----------	---------------------------------------	----------------------	--------------

This drawing is for informational-demonstrative purposes only
 All dimensions are given in millimetres unless otherwise stated.
 All materials and components are to be of the highest quality available.
 Roof constructors must be kept up to date with current building regulations.
 Keylite Roof is not responsible for the installation quality on the roof.
 Documentation only for personal use. Copying and selling third party products is prohibited.