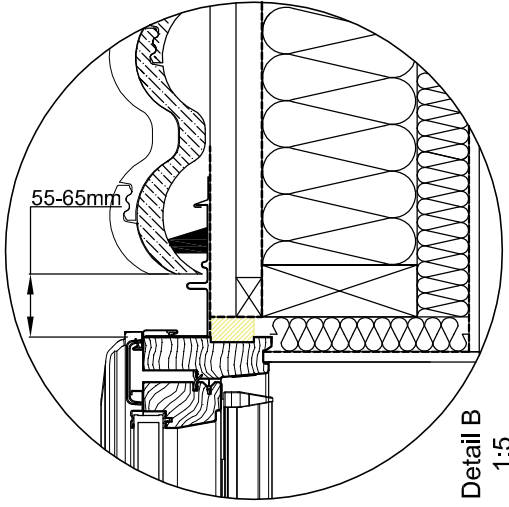


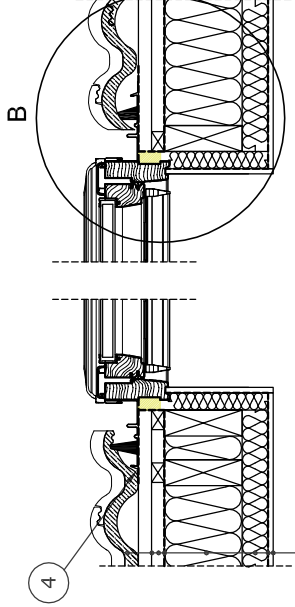
**INDICATIVE SECTIONAL VIEW**

- Ceramic Tile
- Batten and Counter Batten
- Breather Membrane
- Insulation - Mineral Wool
- Insulation - Mineral Wool
- Vapour Barrier
- Internal Finish

1. Mounting profile
2. Integrated Thermal Collar
3. Mounting Batten
4. Double Trimmer (where necessary)



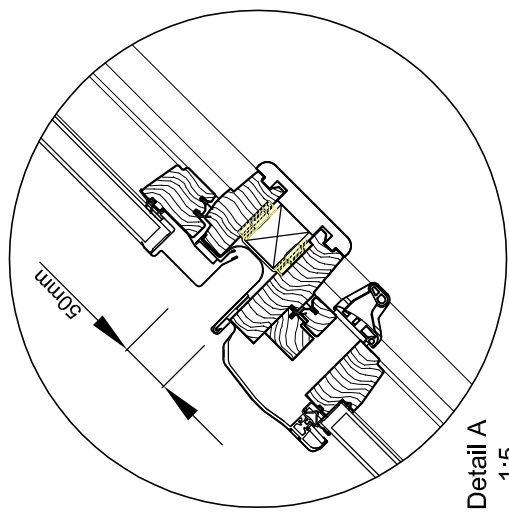
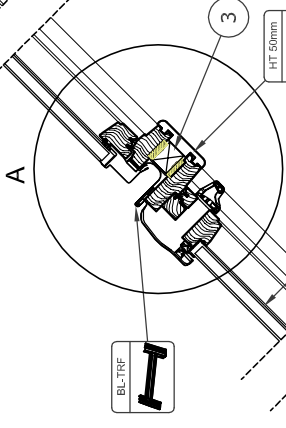
**Detail B**  
1:5



**Section B-B'**  
1:10

- Ceramic Tile
- Batten and Counter Batten
- Ventilation Path
- Breather Membrane
- Insulation - Mineral Wool
- Insulation - Mineral Wool
- Vapour Barrier
- Internal Finish

4. Side Flashing Holding Piece



**Detail A**  
1:5

<p>This drawing is for informational/demonstrative purposes only. It is not intended to be used as a basis for construction. All dimensions are approximate. Roof construction needs to be in line with current building regulations. Keylite Roofing is not responsible for the installation quality on the roof. Documentation only for personal use. Copying and selling third party products is prohibited.</p>		<p>www.keyliterate.com E-Mail: info@keylite.co.uk Tel: 028 8976 8921 Fax: 028 8976 8923 Keylite Roofing County Tyrone, Northern Ireland BT 89 9LU</p>							
Roofing Style	Window	Flashing	Felt Collar	Vapour Collar	Horizontal Trim	Angle	DWG No.	Scale	Format
BL-TRF	CP	BL-TRF	FC	VC	HT 50mm	15°-90°	CP-BL-TRF-3	1:5 1:10	A3
							Rev. A 2018		

