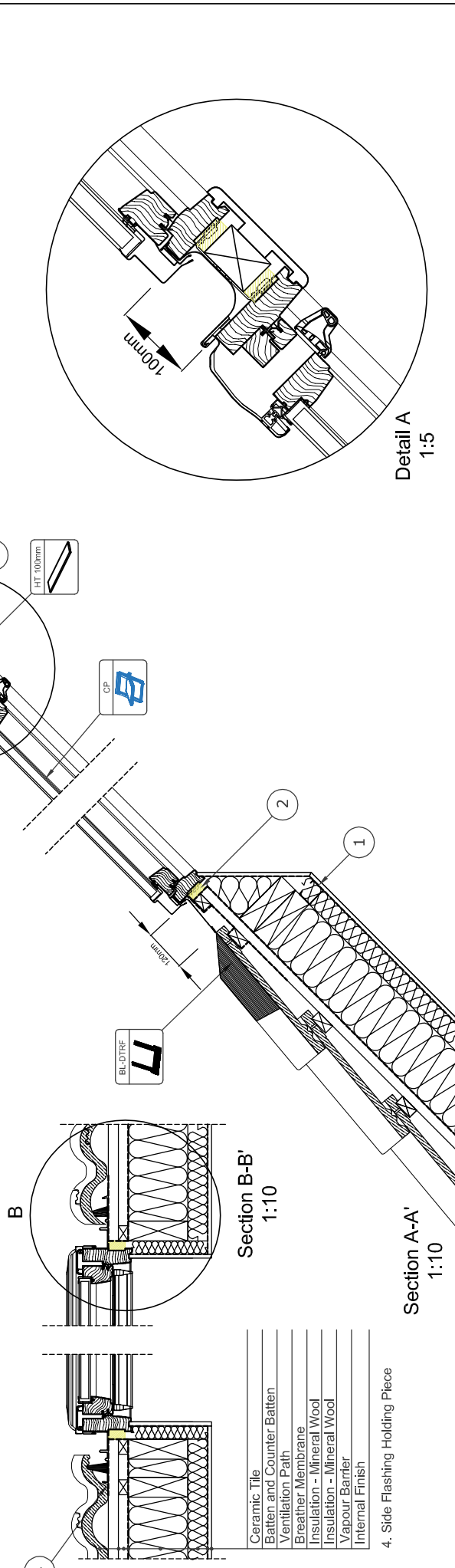


INDICATIVE SECTIONAL VIEW



www.keylitewindows.com E-Mail: info@keylite.co.uk Tel: 028 8976 8921 Fax: 028 8976 8923 Keylite Roof Centre, Tyrone, Northern Ireland BT 89 9LU	<p>This drawing is for informational/demonstrative purposes only. It is not intended to be used as a basis for construction. All dimensions are approximate. Roof construction needs to be in line with current building regulations. Keylite Roof Centre is not responsible for the installation quality on the roof. Documentation only for personal use. Copying and selling third party products is prohibited.</p>	Roofing Style	Window	Flashing	Felt Collar	Vapour Collar	Horizontal Trim	Angle	DWG No.	Scale	Format
		BL-DTRF	CP	BL-TRF	FC	VC	HT 100mm	15°-90°	CP-BL-TRF-6 Rev. A 2018	1:5 1:10	A3

