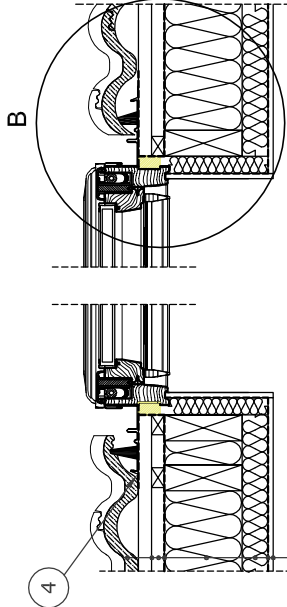


INDICATIVE SECTIONAL VIEW

- Ceramic Tile
- Batten and Counter Batten
- Ventilation Path
- Breather Membrane
- Insulation - Mineral Wool
- Insulation - Mineral Wool
- Vapour Barrier
- Internal Finish

4. Side Flashing Holding Piece

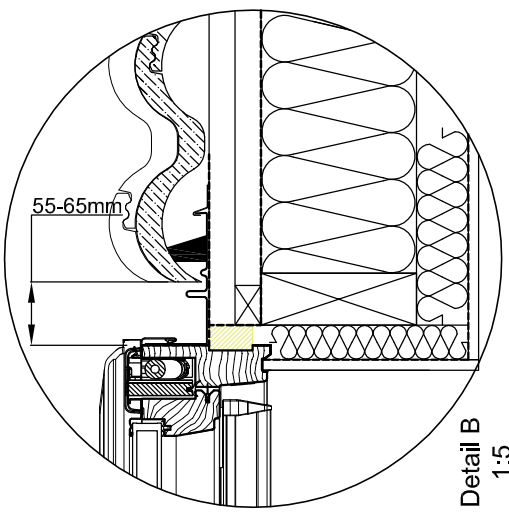
Section B-B'
1:10



- Ceramic Tile
- Batten and Counter Batten
- Ventilation Path
- Breather Membrane
- Insulation - Mineral Wool
- Insulation - Mineral Wool
- Vapour Barrier
- Internal Finish

4. Side Flashing Holding Piece

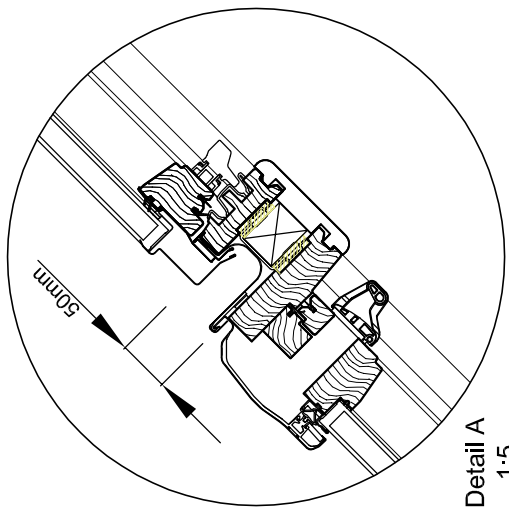
Detail B
1:5



- Ceramic Tile
- Batten and Counter Batten
- Breather Membrane
- Insulation - Mineral Wool
- Insulation - Mineral Wool
- Vapour Barrier
- Internal Finish

1. Mounting profile
2. Integrated Thermal Collar
3. Mounting Batten
4. Double Trimmer (where necessary)

Detail A
1:5



- Horizontal Trim
- HT 50mm
- Vapour Collar
- VC
- Felt Collar
- FC
- Flashing
- BL-TRF
- Window
- FE/TH
- Roofing Style
- FE/TH
- Angle
- 15°-75°

www.keyliterate.com E-Mail: info@keyliterate.co.uk Tel: 028 8975 8921 Fax: 028 8975 8923 Keylite Roof Windows Ltd County Tyrone, Northern Ireland BT8 9SL		This drawing is for informational/demonstrative purposes only. It is not intended to be used as a basis for performance. All dimensions are approximate. Roof constructions need to be built with current building regulations. Keylite is not responsible for the installation quality on the roof. Documentation only for personal use. Copying and selling third party products is prohibited.								DWG No. FE/TH-BL-DTRF-3 Rev. A 2018	Scale 1:5 1:10	Format A3
---	--	---	--	--	--	--	--	--	--	---	----------------------	--------------