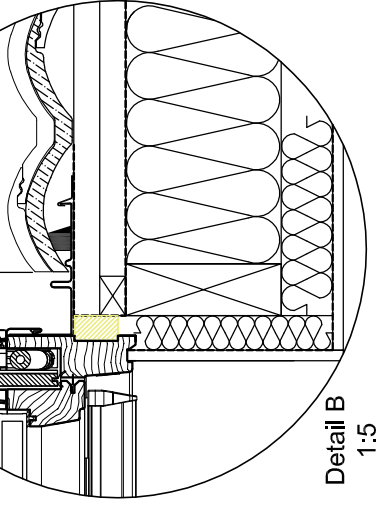


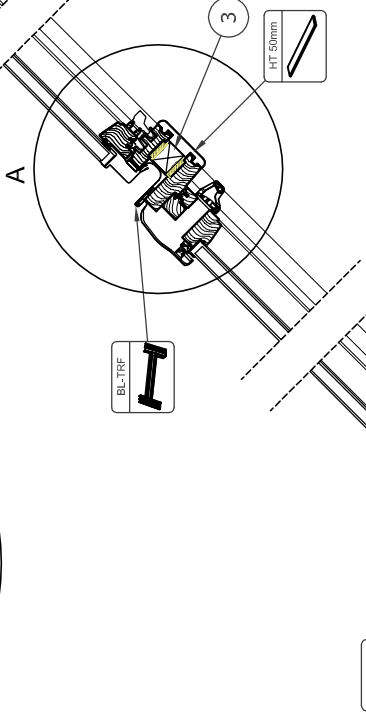
INDICATIVE SECTIONAL VIEW

- _____ Ceramic Tile
- _____ Batten and Counter Batten
- _____ Ventilation Path
- _____ Breather Membrane
- _____ Insulation - Mineral Wool
- _____ Insulation - Mineral Wool
- _____ Vapour Barrier
- _____ Internal Finish

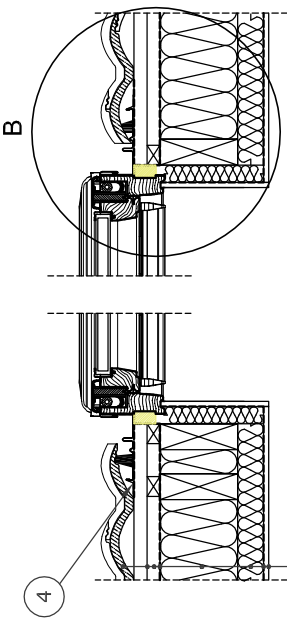
4. Side Flashing Holding Piece



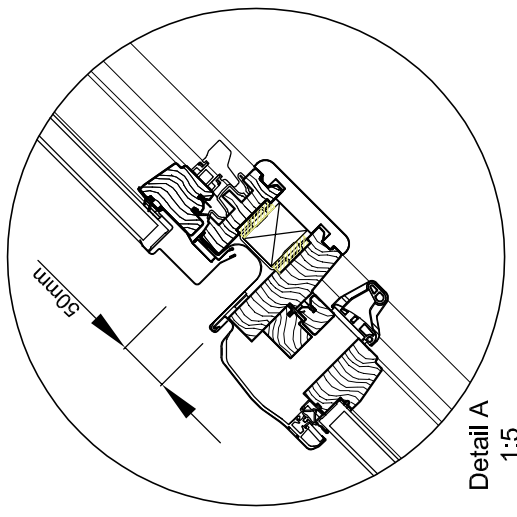
Detail B
1:5



Section A-A'
1:10



Section B-B'
1:10



Detail A
1:5

- _____ Ceramic Tile
 - _____ Batten and Counter Batten
 - _____ Breather Membrane
 - _____ Insulation - Mineral Wool
 - _____ Insulation - Mineral Wool
 - _____ Vapour Barrier
 - _____ Internal Finish
1. Mounting profile
 2. Integrated Thermal Collar
 3. Mounting Batten
 4. Double Trimmer (where necessary)



www.keylitewindows.com E-Mail: info@keylite.co.uk Tel: 028 8976 8921 Fax: 028 8976 8923 Keylite Roof Centre, Tyrone, Northern Ireland BT 98 9LU		This drawing is for informational/demonstrative purposes only. It is not intended to be used as a basis for construction. All dimensions and materials are subject to change without notice. Roof construction must be in full compliance with current building regulations. Keylite Roof Centre is not responsible for the installation quality on the roof. Documentation only for personal use. Copying and selling third party products is prohibited.		Roofing Style A B C		Window FE/TH		Flashing BL-TRF		Felt Collar FC		Vapour Collar VC		Horizontal Trim HT 50mm		Angle 20°-75°		DWG No. FE/TH-BL-TRF-1 Rev. A 2018		Scale 1:5 1:10		Format A3	
--	--	--	--	------------------------------	--	-----------------	--	--------------------	--	-------------------	--	---------------------	--	-------------------------------	--	------------------	--	--	--	----------------------	--	--------------	--

