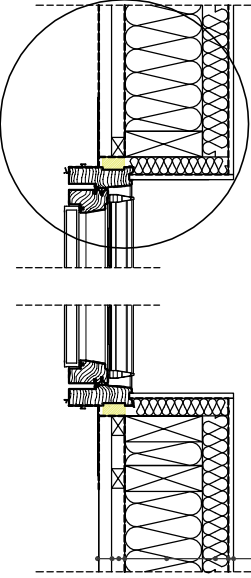
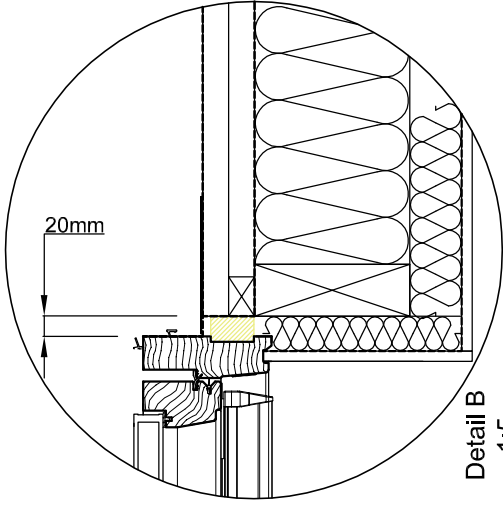


INDICATIVE SECTIONAL VIEW

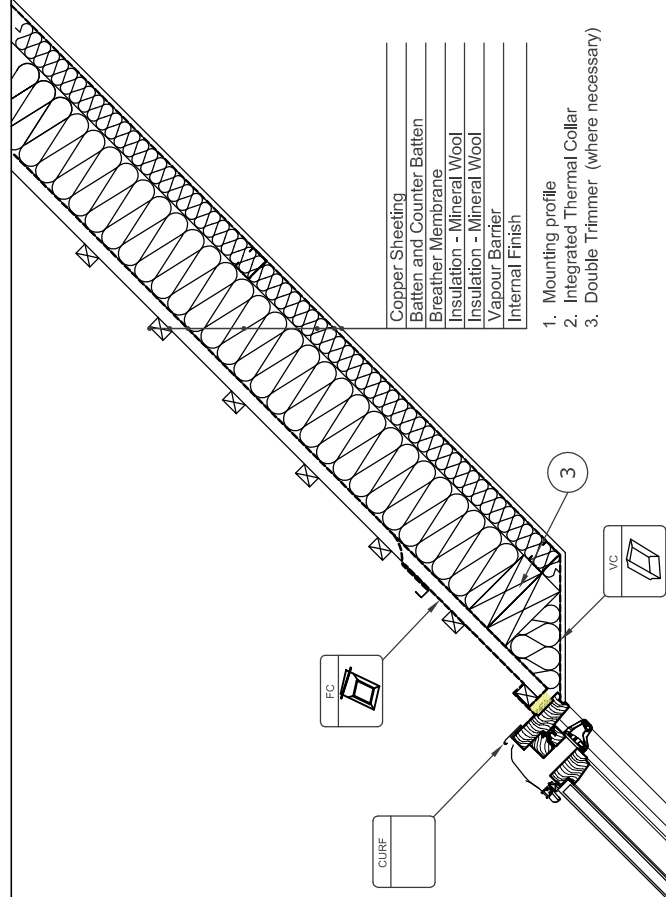
- Copper Sheeting
- Batten and Counter Batten
- Ventilation Path
- Breather Membrane
- Insulation - Mineral Wool
- Vapour Barrier
- Internal Finish



Section B-B'
1:10

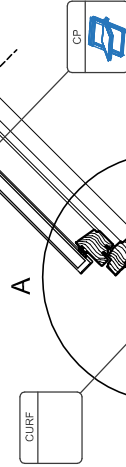


Detail B
1:5

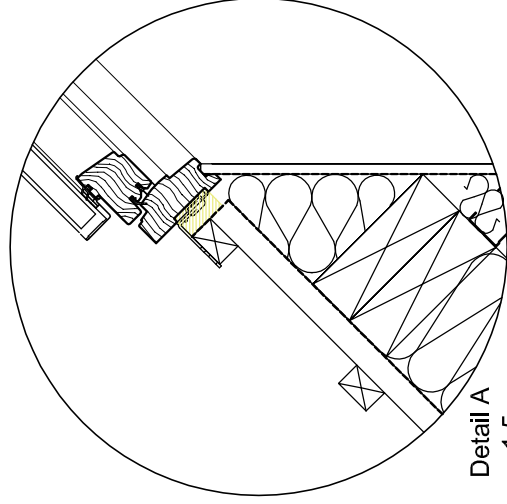


- Copper Sheeting
- Batten and Counter Batten
- Breather Membrane
- Insulation - Mineral Wool
- Vapour Barrier
- Internal Finish

1. Mounting profile
2. Integrated Thermal Collar
3. Double Trimmer (where necessary)



Section A-A'
1:10



Detail A
1:5



www.keyliterateofwindows.com
E-Mail: info@keylite.co.uk
Tel: 028 9675 8921 Fax: 028 9675 8923
Keylite Roof Windows Ltd, Cookstown,
County Tyrone, Northern Ireland BT80 8LU.



This drawing is for information and illustrative purposes only and as such cannot constitute a basis for performance. All roof constructions must be in line with current building regulations. Keylite is not responsible for any installation quality on the roof. Documentation only for personal use. Copying and printing without permission is prohibited.

Roofing Style	Window	Flashing	Felt Collar	Vapour Collar	Angle	DWG No.	Scale	Format
Copper	CP	CURF	FC	VC	15°-90°	CP-CURF	1:5 1:10	A3

Rev. A 2018
