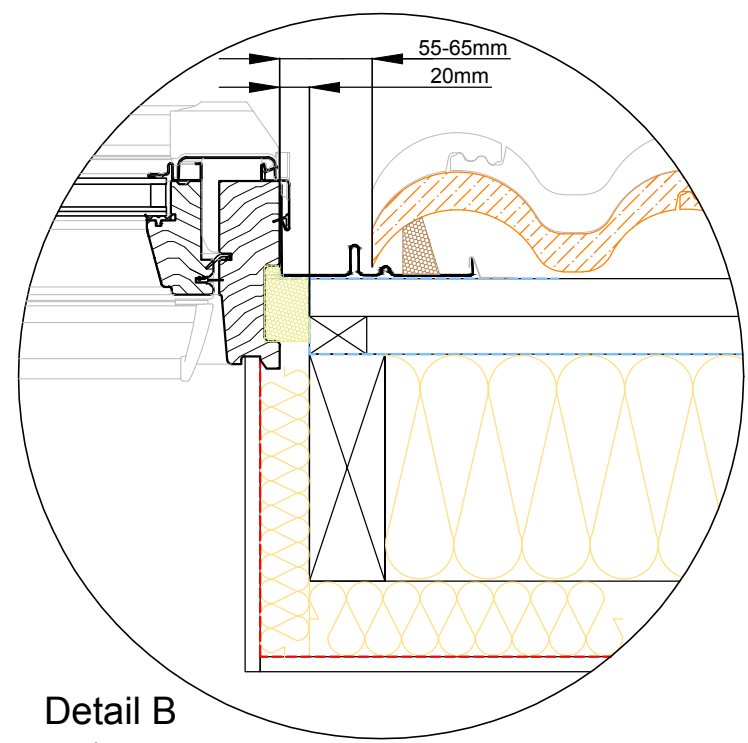
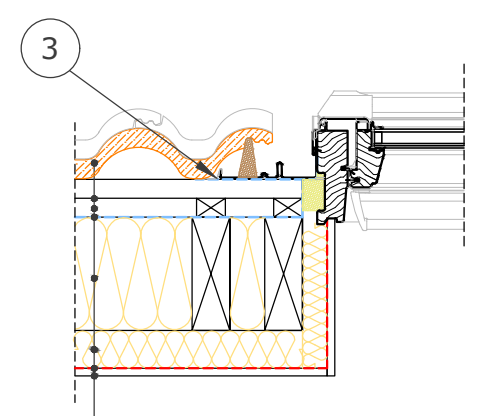


INDICATIVE SECTIONAL VIEW

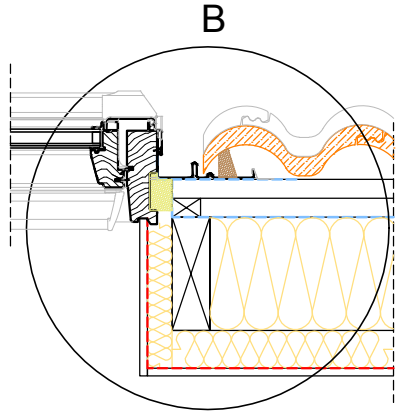


Detail B
1:5



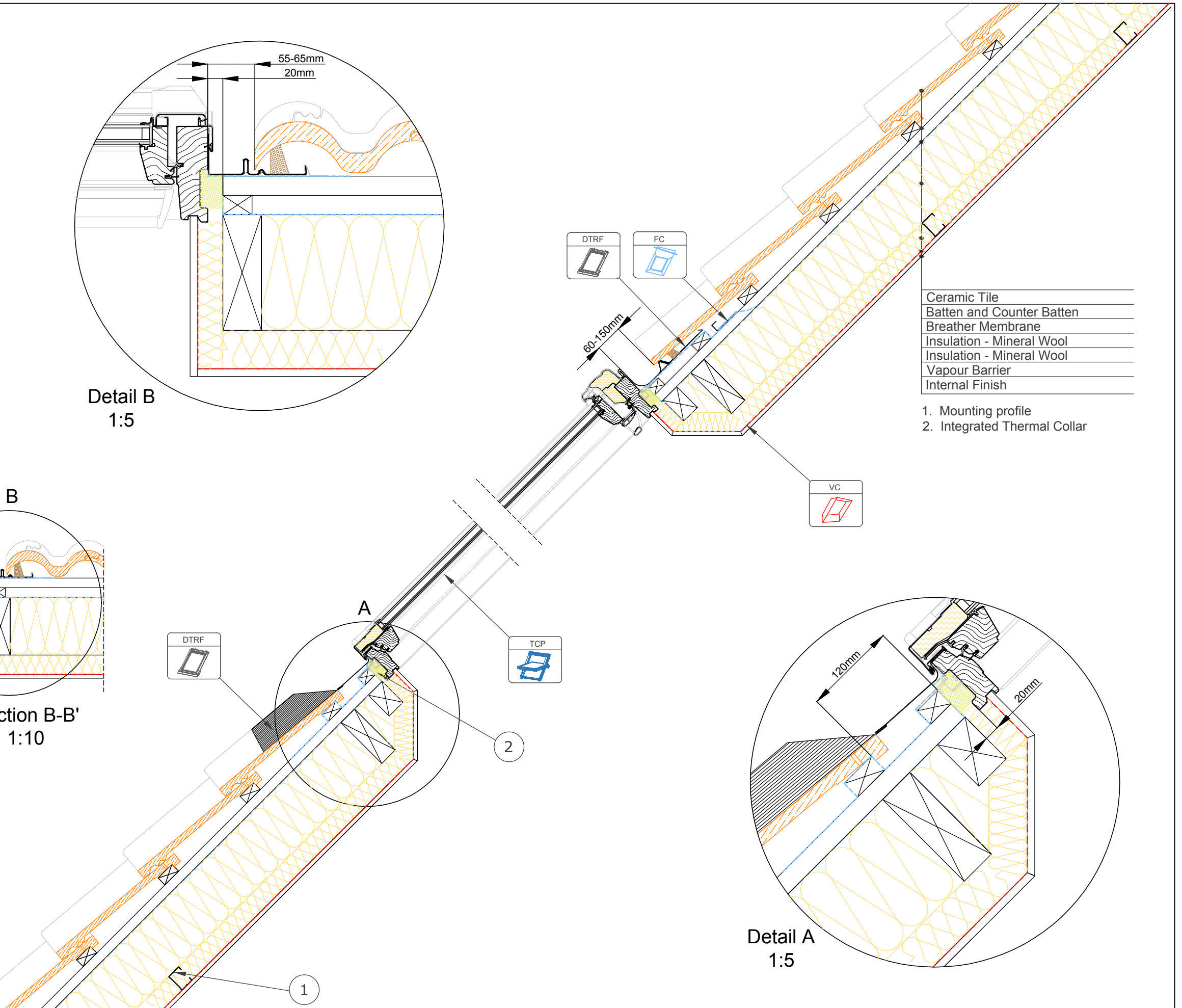
- Ceramic Tile
- Batten and Counter Batten
- Ventilation Path
- Breather Membrane
- Insulation - Mineral Wool
- Insulation - Mineral Wool
- Vapour Barrier
- Internal Finish

3. Side Flashing Holding Piece



Section B-B'
1:10

Section A-A'
1:10



- Ceramic Tile
- Batten and Counter Batten
- Breather Membrane
- Insulation - Mineral Wool
- Insulation - Mineral Wool
- Vapour Barrier
- Internal Finish

- 1. Mounting profile
- 2. Integrated Thermal Collar

Detail A
1:5



www.keyliteroofwindows.com
 E-Mail: info@keylite.co.uk
 Tel: 028 8675 8921 Fax: 028 8675 8923
 Keylite Roof Windows Ltd, Derryloran Industrial Estate, Cookstown,
 County Tyrone, Northern Ireland BT80 9LU.

This drawing is for informational-demonstrative purposes only and as such cannot constitute a basis for performance. All dimensions presented in this drawing should be verified on site. Roof constructions needs to be right with current building regulations. Keylite is not responsible for or the installation quality on the roof. Documentation only for personal use. Copying and sharing without permission is prohibited.

Roofing Style	Window	Flashing	Felt Collar	Vapour Collar	Angle	DWG No.	Scale	Format
max 30mm	TCP	DTRF	FC	VC	15°- 90°	TCP-DTRF	1:5 1:10 1:20	A3
						Rev. D 2022		