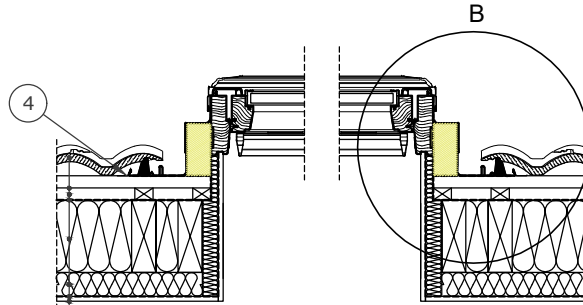


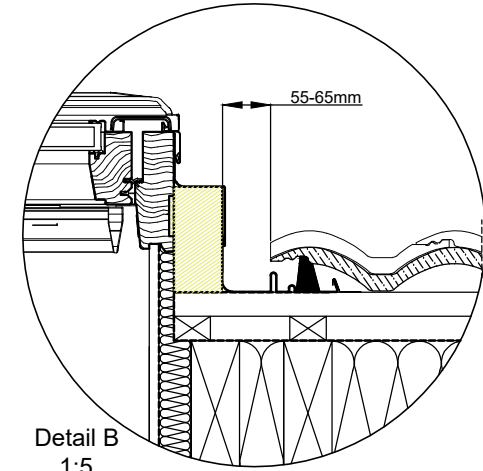
INDICATIVE SECTIONAL VIEW



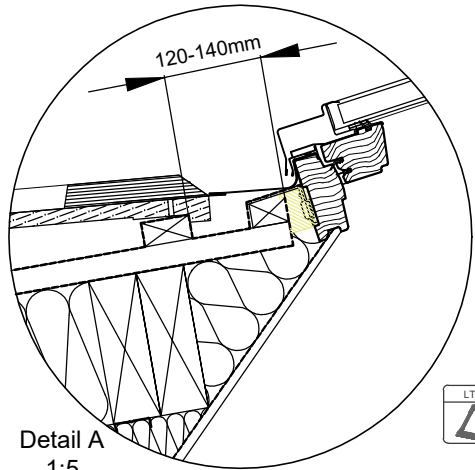
Section B-B'
1:10

- _____ Ceramic Tile
- _____ Batten and Counter Batten
- _____ Ventilation Path
- _____ Breather Membrane
- _____ Insulation - Mineral Wool
- _____ Insulation - Mineral Wool
- _____ Vapour Barrier
- _____ Internal Finish

4. Side Flashing Holding Piece

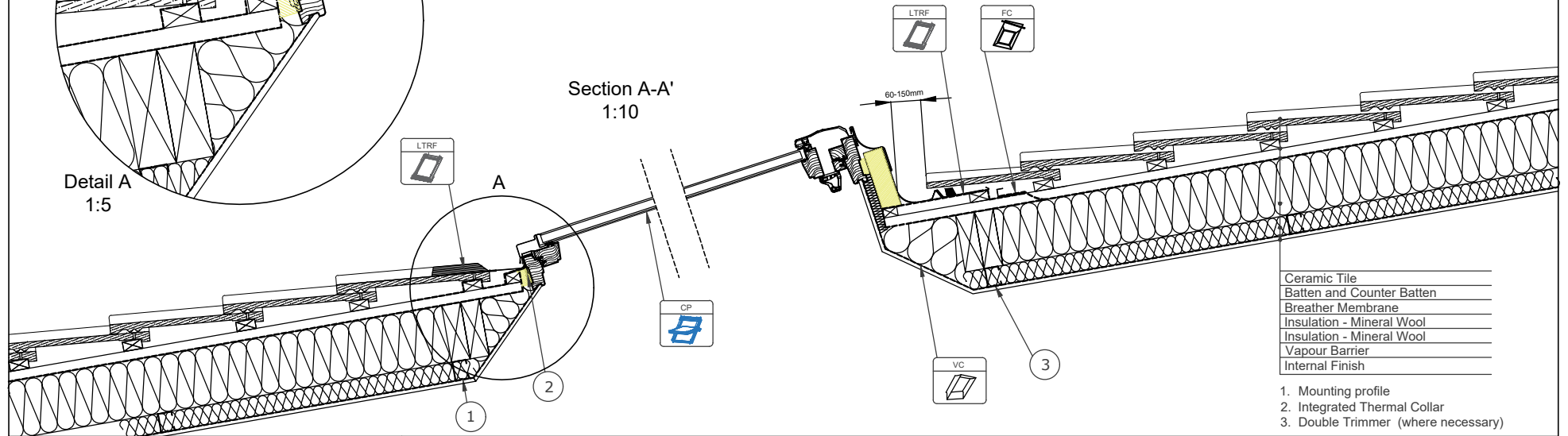


Detail B
1:5



Detail A
1:5

Section A-A'
1:10



- _____ Ceramic Tile
- _____ Batten and Counter Batten
- _____ Breather Membrane
- _____ Insulation - Mineral Wool
- _____ Insulation - Mineral Wool
- _____ Vapour Barrier
- _____ Internal Finish

1. Mounting profile
2. Integrated Thermal Collar
3. Double Trimmer (where necessary)



www.keyliterateofwindows.com
 E-Mail: info@keylite.co.uk
 Tel: 028 8675 8921 Fax: 028 8675 8923
 Keylite Roof Windows Ltd, Derryloran Industrial Estate, Cookstown,
 County Tyrone, Northern Ireland BT60 9LU.

This drawing is for informational-demonstrative purposes only and as such cannot constitute a basis for performance. All dimensions presented in this drawing should be verified on site. Roof constructions needs to be right with current building regulations. Keylite is not responsible for or the installation quality on the roof. Documentation only for personal use. Copying and sharing without permission is prohibited.

| Roofing Style | Window | Flashing | Felt Collar | Vapour Collar | Angle | DWG No. | Scale | Format |
|---------------|--------|----------|-------------|---------------|---------|------------------------|-------------|--------|
| max 45mm | CP | LTRF | FC | VC | 10°-75° | CP-LTRF Rev. A 2018 | 1:5 1:10 | A3 |