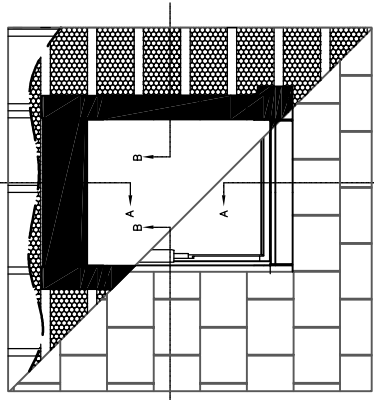
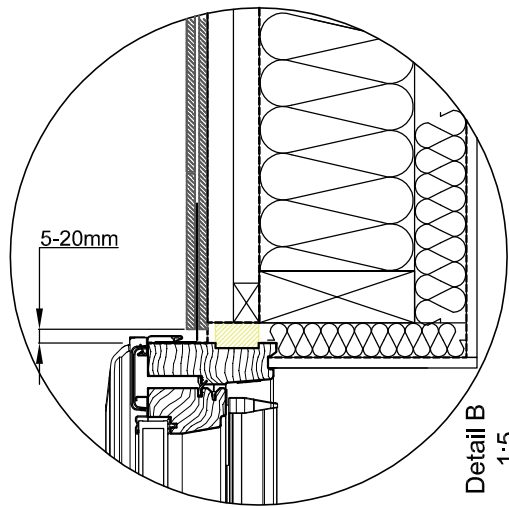
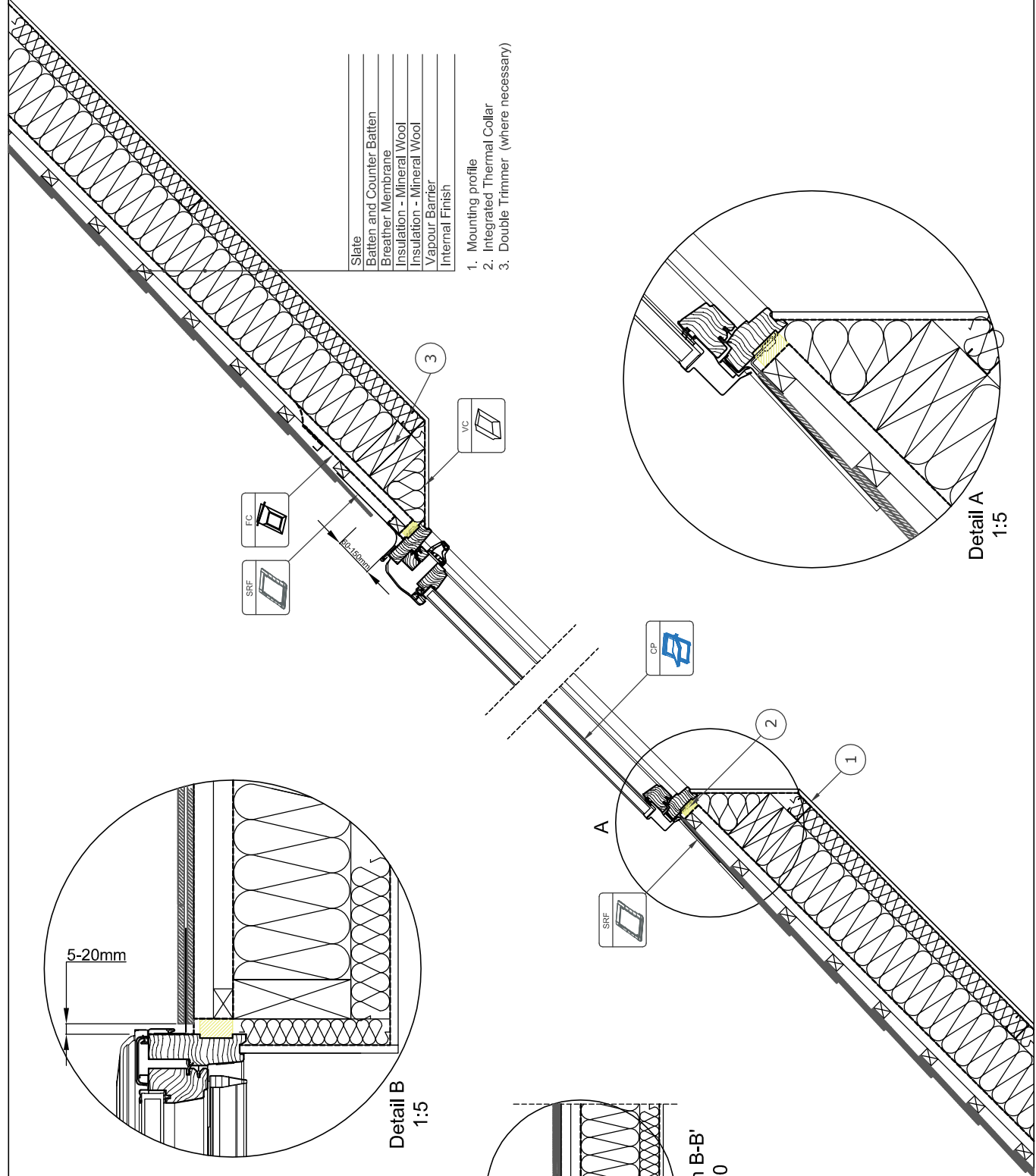


INDICATIVE SECTIONAL VIEW

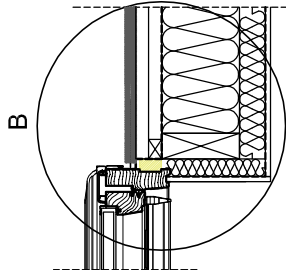


- _____ Slate
- _____ Batten and Counter Batten
- _____ Breather Membrane
- _____ Insulation - Mineral Wool
- _____ Insulation - Mineral Wool
- _____ Vapour Barrier
- _____ Internal Finish

1. Mounting profile
2. Integrated Thermal Collar
3. Double Trimmer (where necessary)

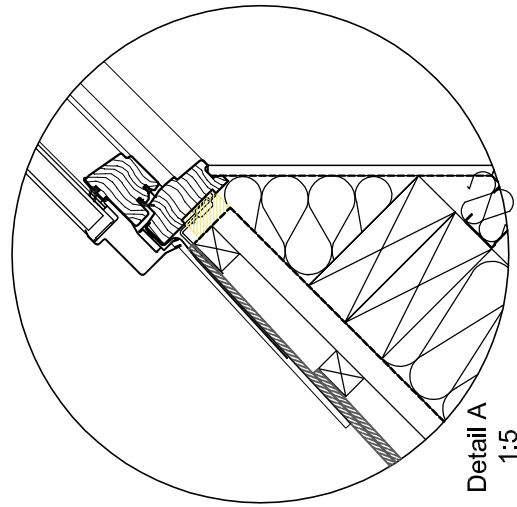


Detail B
1:5



Section B-B'
1:10

- _____ Slate
- _____ Batten and Counter Batten
- _____ Ventilation Path
- _____ Breather Membrane
- _____ Insulation - Mineral Wool
- _____ Insulation - Mineral Wool
- _____ Vapour Barrier
- _____ Internal Finish



Detail A
1:5

| | | | | | | | | | | | |
|--|---|---|---------------|--------|----------|-------------|---------------|---------|----------|-------------|-------------|
| | www.keyliteofwindows.com E-Mail: info@keylite.co.uk Tel: 028 8675 8921 Fax: 028 8675 6923 Keylite Roof Windows Ltd, Cookstown, County Tyrone, Northern Ireland BT189 8LU. | <p>This drawing is for information and illustrative purposes only and as such cannot substitute a trade for professional advice. All drawings are subject to change without notice. Roof construction needs to be in line with current building regulations. Keylite is not responsible for any installation quality on the roof. Documentation only. Copying and using without permission is prohibited.</p> | Roofing Style | Window | Flashing | Felt Collar | Vapour Collar | Angle | DWG No. | Scale | Format |
| | | | max 8mm | CP | SRF | FC | VC | 15°-90° | CP-SRF-1 | 1:5 1:10 | Rev. A 2018 |