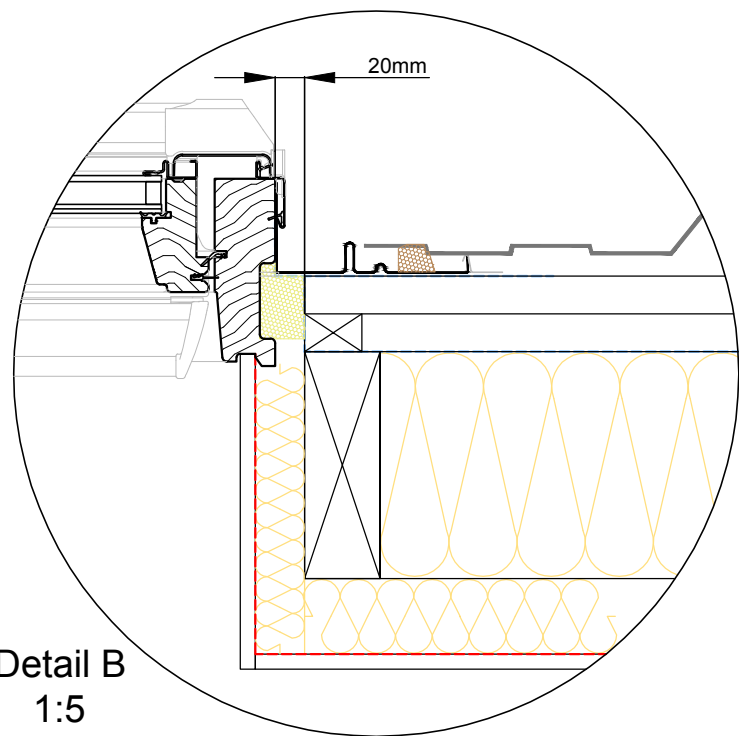
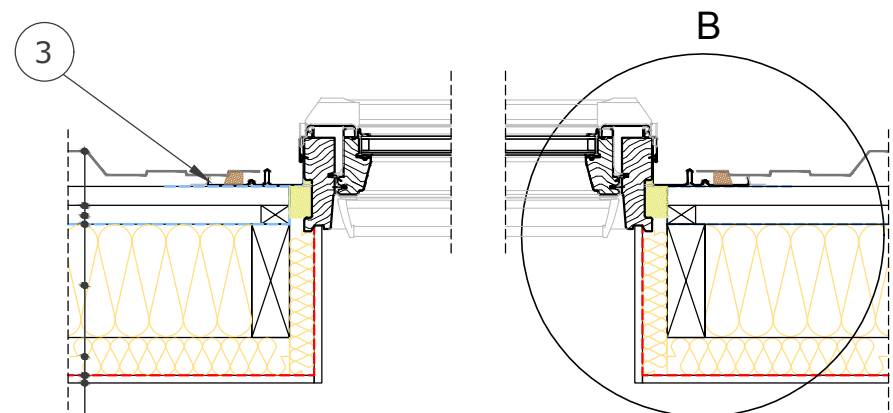


INDICATIVE SECTIONAL VIEW



Detail B
1:5



Section B-B'
1:10

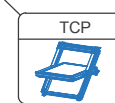
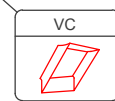
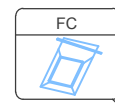
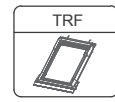
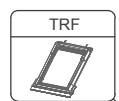
Section A-A'
1:10

- Trapezoid Sheet
- Batten and Counter Batten
- Ventilation Path
- Breather Membrane
- Insulation - Mineral Wool
- Insulation - Mineral Wool
- Vapour Barrier
- Internal Finish

3. Side Flashing Holding Piece

- Trapezoid Sheet
- Batten and Counter Batten
- Breather Membrane
- Insulation - Mineral Wool
- Insulation - Mineral Wool
- Vapour Barrier
- Internal Finish

1. Mounting profile
2. Integrated Thermal Collar



This drawing is for informational-demonstrative purposes only and as such cannot constitute a basis for performance. All dimensions presented in this drawing should be verified on site. Roof constructions needs to be right with current building regulations. Keylite is not responsible for or the installation quality on the roof. Documentation only for personal use. Copying and sharing without permission is prohibited.

Roofing Style	Window	Flashing	Felt Collar	Vapour Collar	Angle	DWG No.	Scale	Format
max 45mm CRF	TCP	TRF	FC	VC	20°- 90°	TCP-TRF	1:5 1:10 1:20	A3
						Rev. D 2022		



www.keyliterateofwindows.com
E-Mail: info@keylite.co.uk
Tel: 028 8675 8921 Fax: 028 8675 8923
Keylite Roof Windows Ltd, Derryloran Industrial Estate, Cookstown,
County Tyrone, Northern Ireland BT80 9LU.