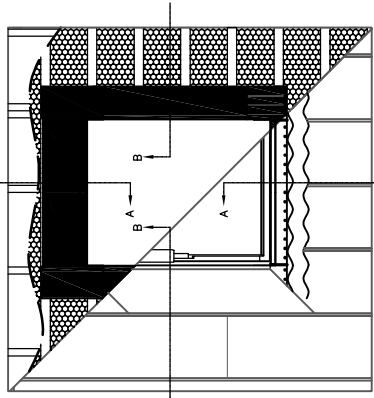
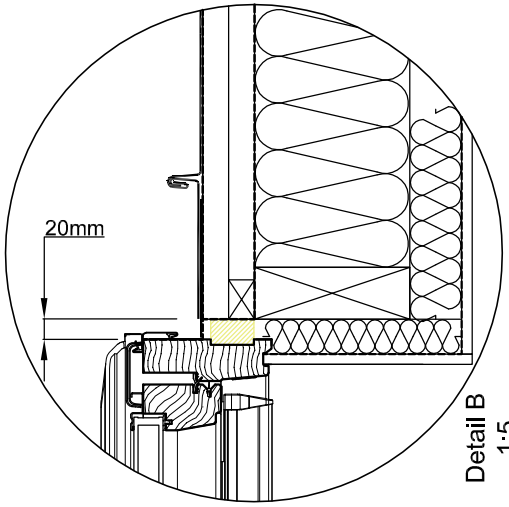


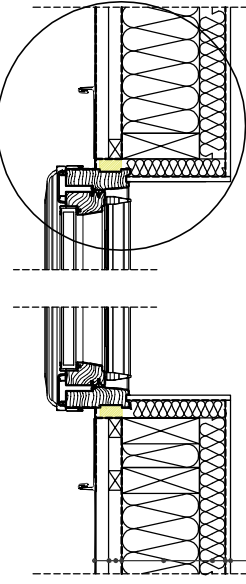
INDICATIVE SECTIONAL VIEW



Detail B
1:5

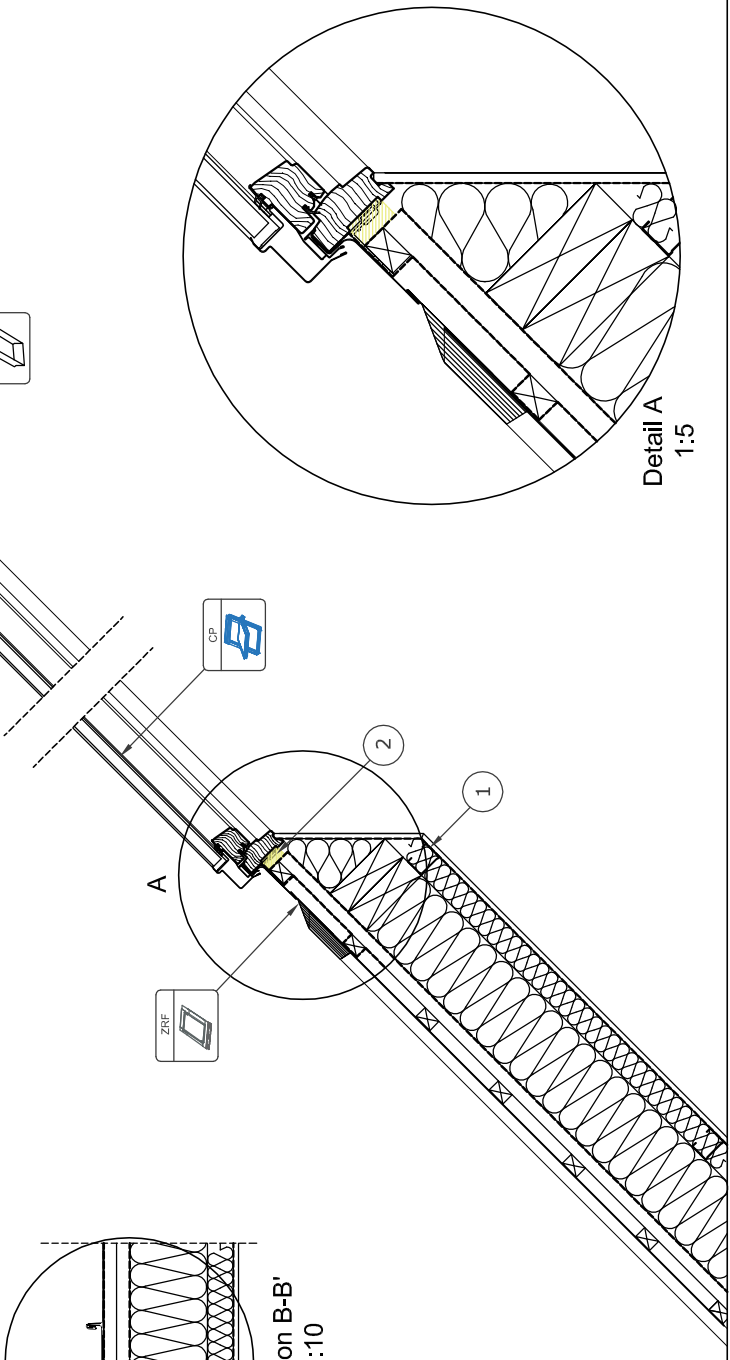


Section B-B'
1:10

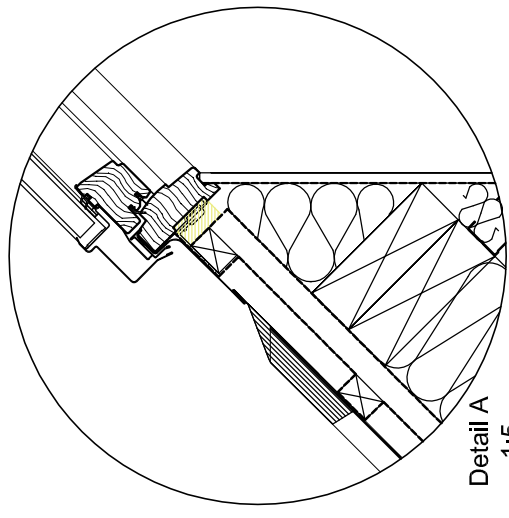


- Zinc Sheetting
- Batten and Counter Batten
- Ventilation Path
- Breather Membrane
- Insulation - Mineral Wool
- Vapour Barrier
- Internal Finish

Section A-A'
1:10

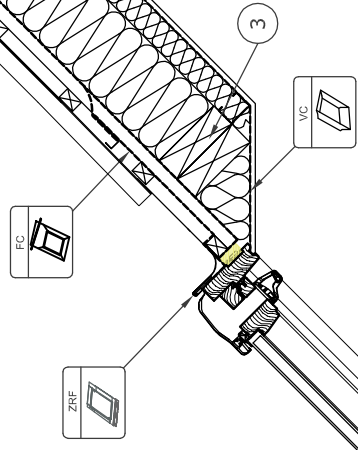


Detail A
1:5



- Zinc Sheetting
- Batten and Counter Batten
- Breather Membrane
- Insulation - Mineral Wool
- Insulation - Mineral Wool
- Vapour Barrier
- Internal Finish

1. Mounting profile
2. Integrated Thermal Collar
3. Double Trimmer (where necessary)



www.keyliteofwindows.com E-Mail: info@keylite.co.uk Tel: 028 9675 8921 Fax: 028 9675 6923 Keylite Roof Windows Ltd, Cookstown, County Tyrone, Northern Ireland BT18 9LU.	<p>This drawing is for information and illustrative purposes only and as such cannot substitute a trade for performance. All roof constructions must be in line with current building regulations. Keylite is not responsible for any installation quality on the roof. Documentation only. Copying and using without permission is prohibited.</p>	Roofing Style	Window	Flashing	Felt Collar	Vapour Collar	Angle	DWG No.	Scale	Format
		Zinc	CP	ZRF	FC	VC	15°-90°	CP-ZRF	1:5 1:10	A3

