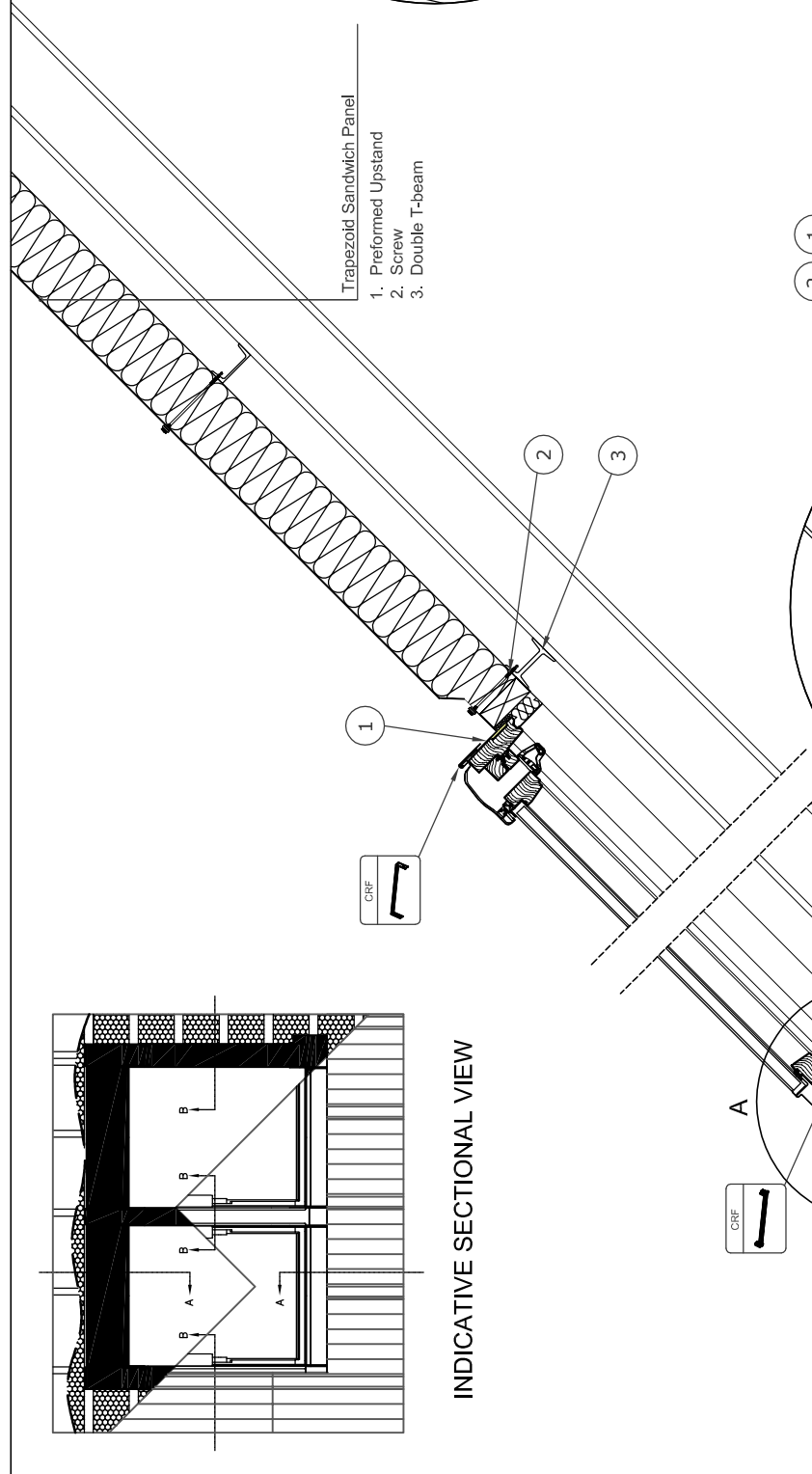
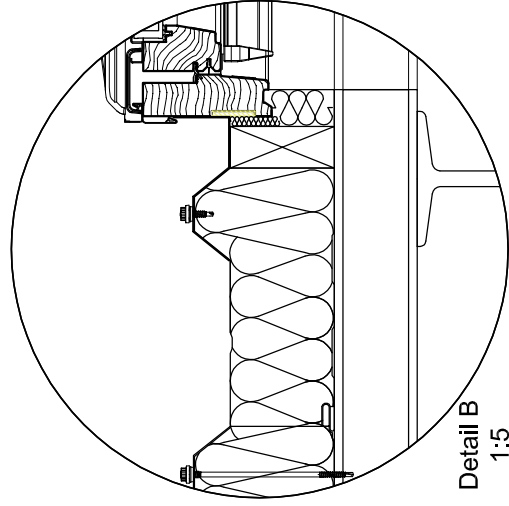


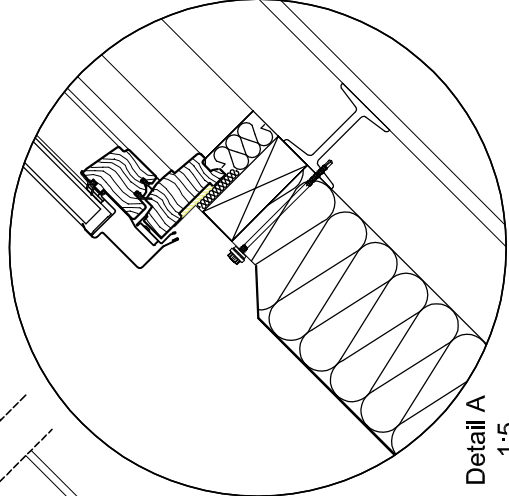
INDICATIVE SECTIONAL VIEW



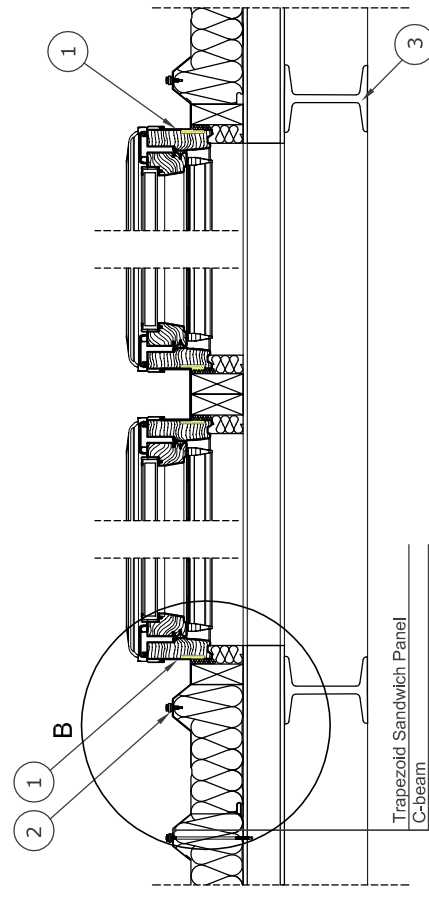
Section A-A'
1:10



Detail B
1:5



Detail A
1:5



Section B-B'
1:10

- Trapezoid Sandwich Panel
1. Preformed Upstand
 2. Screw
 3. Double T-beam

- Trapezoid Sandwich Panel
C-beam
1. Preformed Upstand
 2. Screw
 3. Double T-beam

| | | | | | | | | | | |
|---|--|----------------------|--------------|-----------------|-------------------|---------------------|------------------|--|----------------------|--------------|
| www.keyliterate.com E-Mail: info@keyliterate.co.uk Tel: 028 8675 8921 Fax: 028 8675 8923 Keylite Roof Windows Ltd, Cookstown, County Tyrone, Northern Ireland BT80 8LU. | | Roofing Style CRF | Window CP | Flashing CRF | Felt Collar FC | Vapour Collar VC | Angle 20°-90° | DWG No. CP-C-CRF-100 Rev. A 2018 | Scale 1:5 1:10 | Format A3 |
|---|--|----------------------|--------------|-----------------|-------------------|---------------------|------------------|--|----------------------|--------------|

This drawing is for information and illustrative purposes only and as such cannot constitute a basis for performance. All relevant building regulations must be followed. Roof construction needs to be in line with current building regulations. Keylite is not responsible for any installation quality on the roof. Documentation only. If printed, any copying and further reproduction is prohibited.