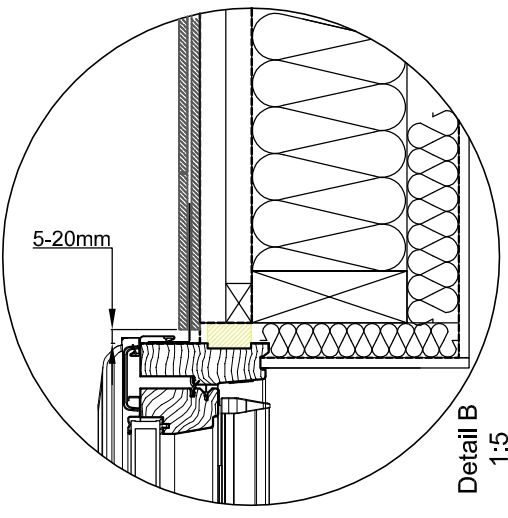


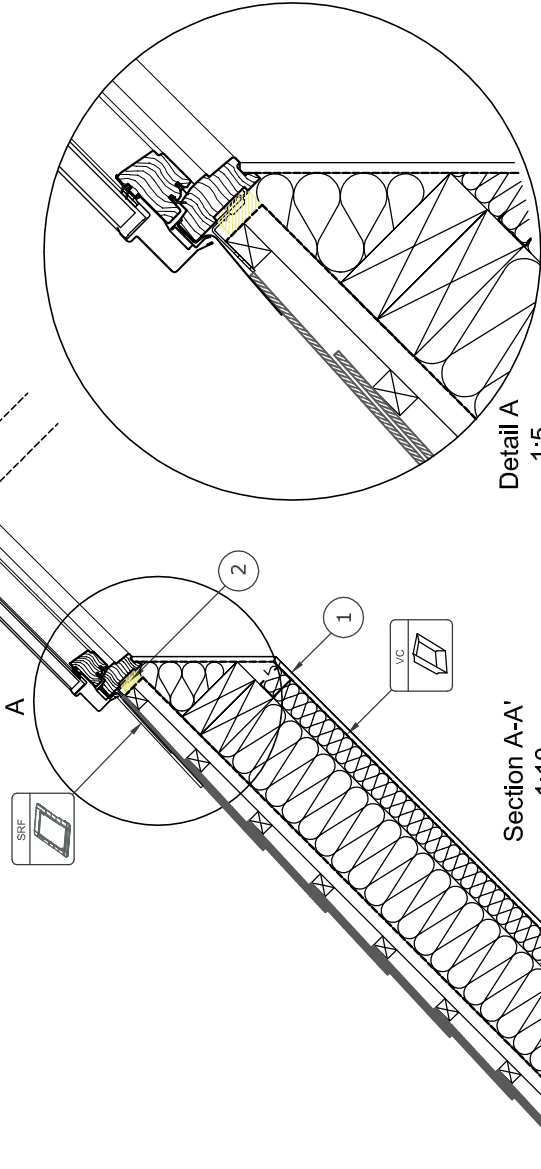
INDICATIVE SECTIONAL VIEW

- Slate
- Batten and Counter Batten
- Breather Membrane
- Insulation - Mineral Wool
- Insulation - Mineral Wool
- Vapour Barrier
- Internal Finish

1. Mounting profile
2. Integrated Thermal Collar
3. Double Trimmer (where necessary)



Detail B
1:5

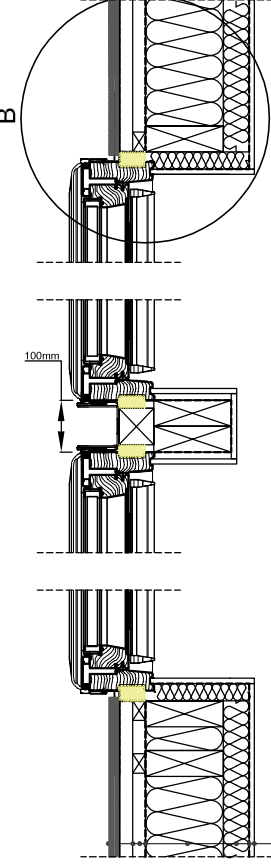


Section A-A'
1:10

Section B-B'
1:10

- Ceramic Tile
- Batten and Counter Batten
- Ventilation Path
- Breather Membrane
- Insulation - Mineral Wool
- Insulation - Mineral Wool
- Vapour Barrier
- Internal Finish

4. Side Flashing Holding Piece



www.keyliteofwindows.com E-Mail: info@keylite.co.uk Tel: 028 9875 8921 Fax: 028 9875 8923 Keylite Roof Windows Ltd, Cookstown, County Tyrone, Northern Ireland BT18 8LU.		<small>This drawing is for information and illustrative purposes only and as such cannot substitute a trade for professional advice. Roof construction needs to be sign with current building regulations. Keylite is not responsible for any installation quality on the roof. Documentation only. If printed for personal use, copying and posting without permission is prohibited.</small>										DWG No.	Scale	Format
		CP-C-SRF-100	1:5 1:10	A3										
													Rev. A 2018	

