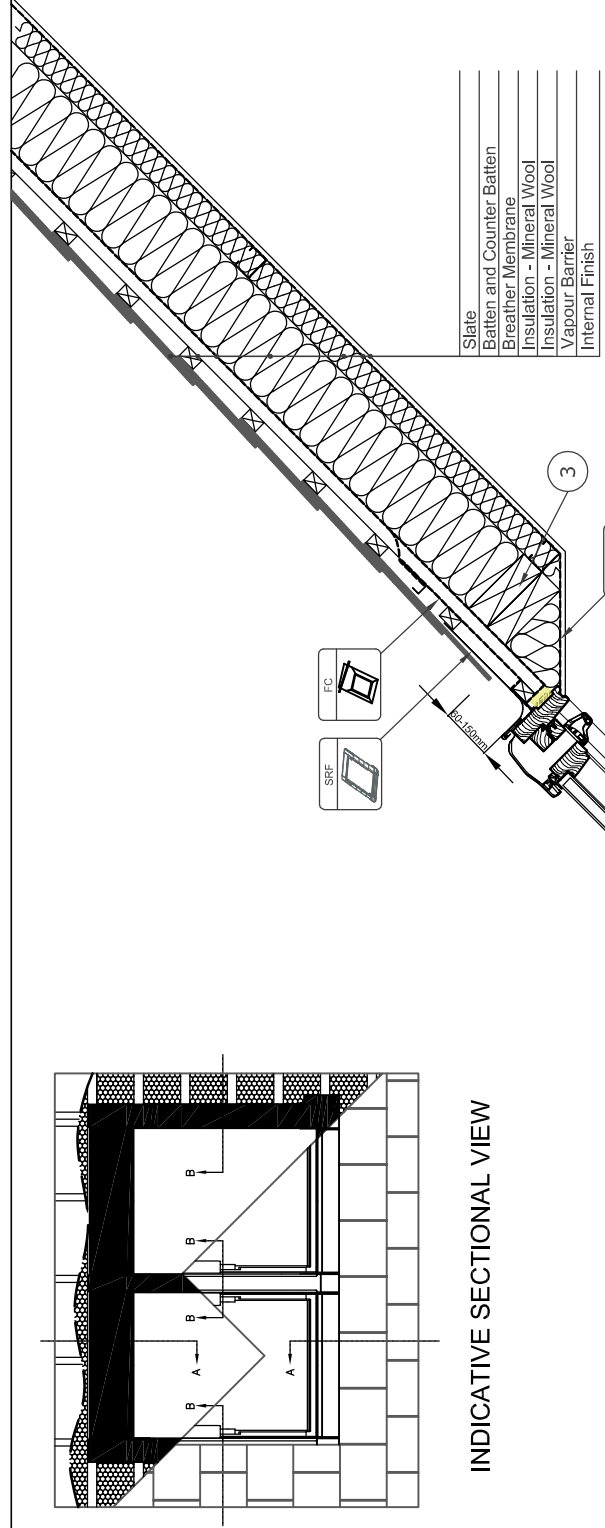
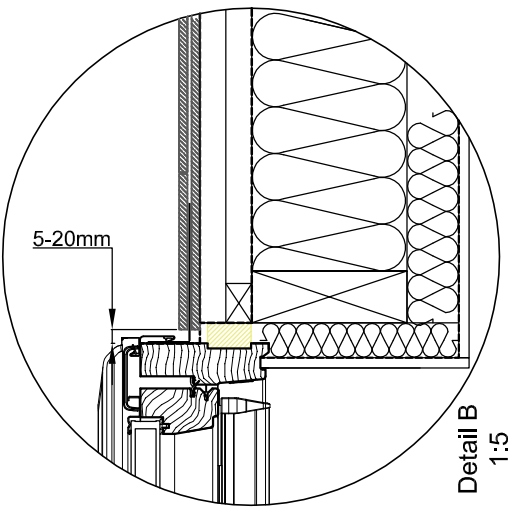


INDICATIVE SECTIONAL VIEW

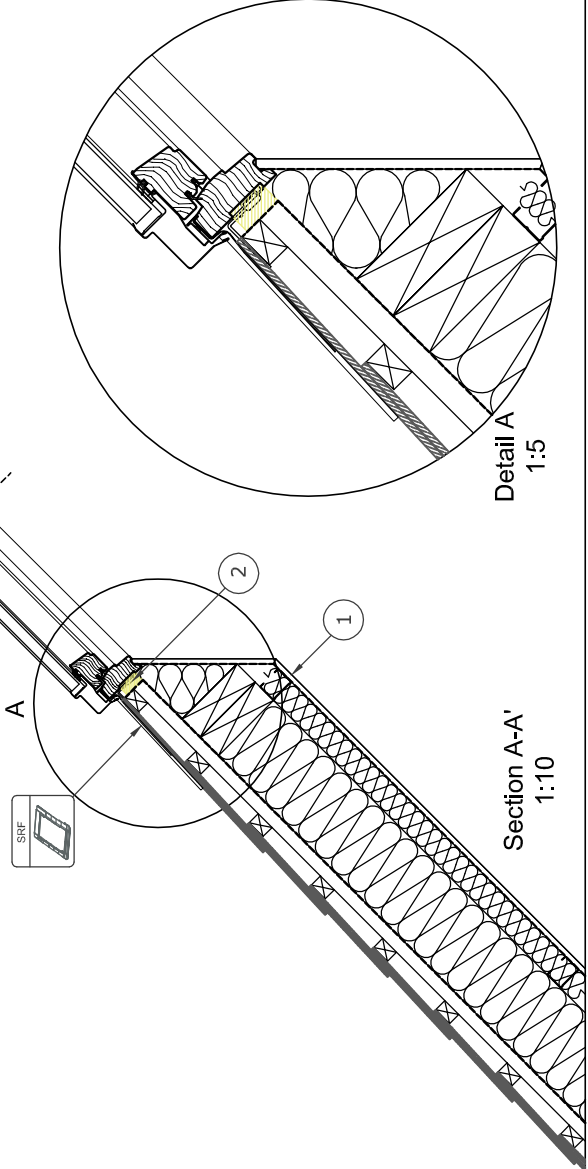


- Slate
- Batten and Counter Batten
- Breather Membrane
- Insulation - Mineral Wool
- Vapour Barrier
- Internal Finish

1. Mounting profile
2. Integrated Thermal Collar
3. Double Trimmer (where necessary)

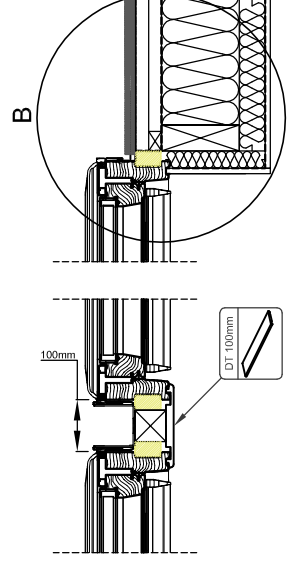


Detail B
1:5

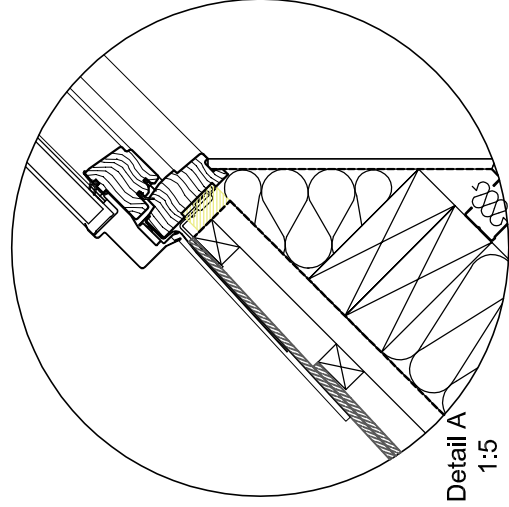


- Ceramic Tile
- Batten and Counter Batten
- Ventilation Path
- Breather Membrane
- Insulation - Mineral Wool
- Vapour Barrier
- Internal Finish

4. Side Flashing Holding Piece



Section B-B'
1:10



Detail A
1:5

								DWG No.	Scale	Format
								CP-C-SRF-100DT	1:5	A3
								Rev. A 2018	1:10	

This drawing is for informational/demonstrative purposes only. All dimensions cannot constitute a basis for performance. Roof constructions needs to be built with current building regulations. Keylite Roofing is not responsible for the installation quality on the roof. Documentation for product use, copying and sharing, where permitted is provided.

www.keyliterate.com
E-Mail: info@keylite.co.uk
Tel: 028 8575 8921 Fax: 028 8575 8923
Keylite Roofing
County Tyrone, Northern Ireland BT8 9LL

