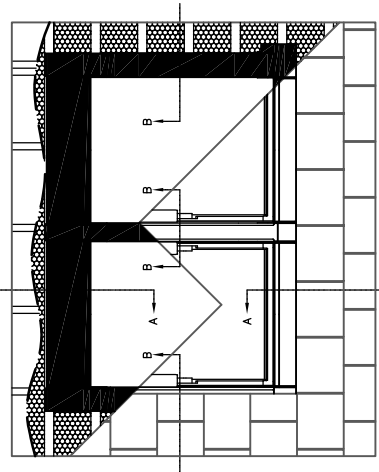
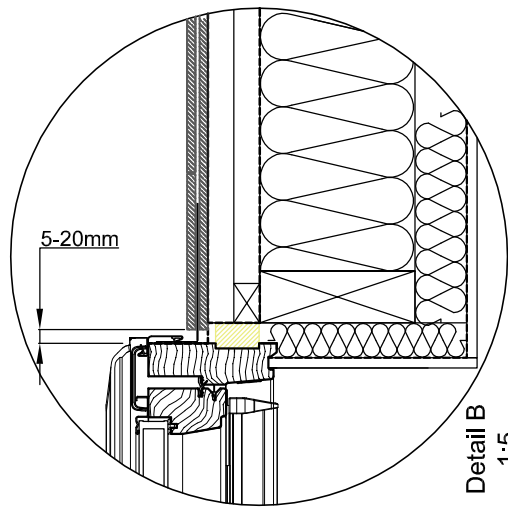


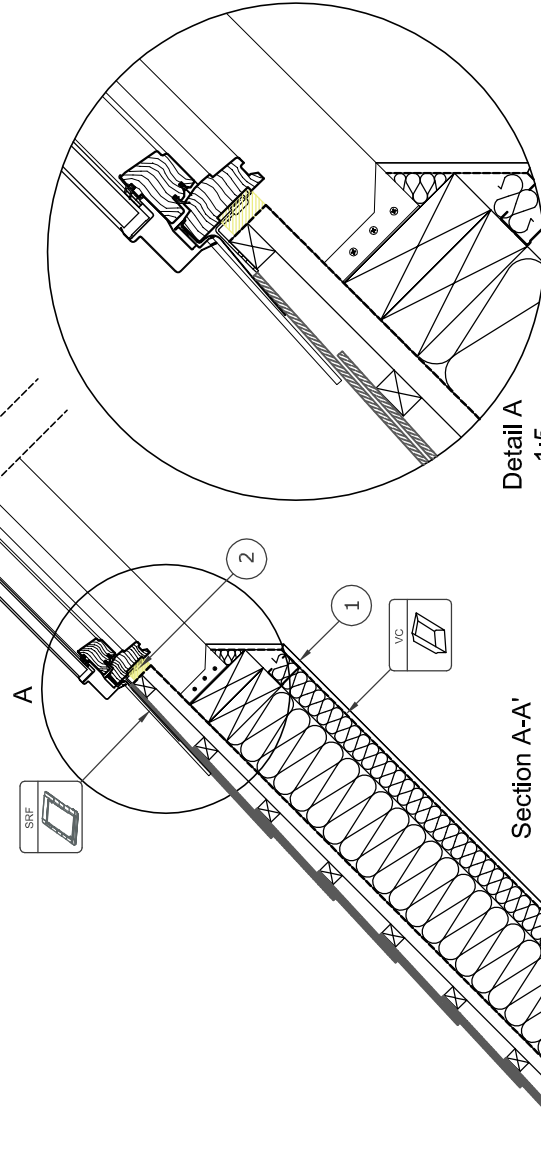
INDICATIVE SECTIONAL VIEW



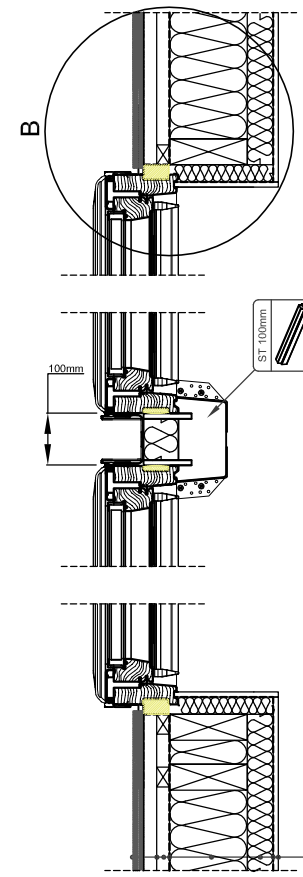
- Slate
 - Batten and Counter Batten
 - Breather Membrane
 - Insulation - Mineral Wool
 - Insulation - Mineral Wool
 - Vapour Barrier
 - Internal Finish
1. Mounting profile
 2. Integrated Thermal Collar
 3. Double Trimmer (where necessary)



Detail B
1:5



Section A-A'
1:10



Section B-B'
1:10

- Ceramic Tile
 - Batten and Counter Batten
 - Ventilation Path
 - Breather Membrane
 - Insulation - Mineral Wool
 - Insulation - Mineral Wool
 - Vapour Barrier
 - Internal Finish
4. Side Flashing Holding Piece



									DWG No.	Scale	Format
SRF	FC	CP	Window	Roofing Style	Flashing	Vapour Collar	Support Trim	Angle	CP-C-SRF-100ST	1:5 1:10	A3
							ST 100mm	15°-90°	Rev. A 2018		

This drawing is for informational-demonstrative purposes only. All dimensions cannot constitute a basis for information. Roof constructions needs to be built with current building regulations. Keylite Roofing is not responsible for the installation quality on the roof. Documentation only for personal use. Copying and selling, where prohibited, is prohibited.

www.keyliteratewindows.com
E-Mail: info@keylite.co.uk
Tel: 028 8975 8921 Fax: 028 8975 8923
Keylite Roofing
County Tyrone, Northern Ireland BT8 9LL

