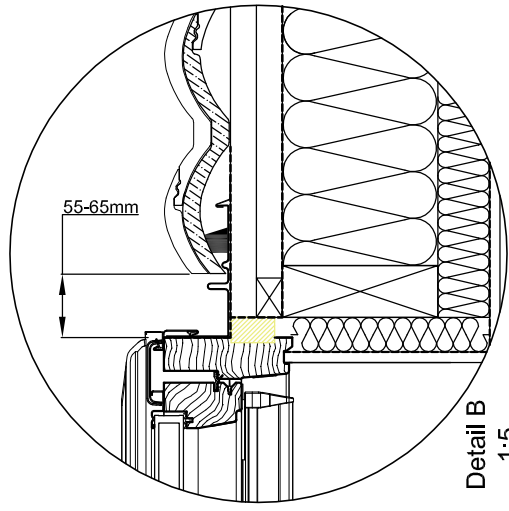


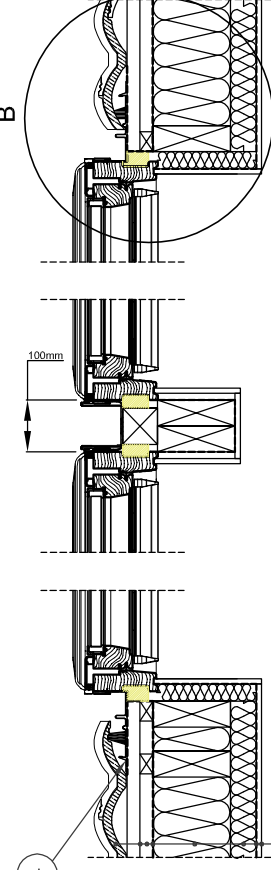
INDICATIVE SECTIONAL VIEW



Detail B
1:5

- Ceramic Tile
- Batten and Counter Batten
- Breather Membrane
- Insulation - Mineral Wool
- Vapour Barrier
- Internal Finish

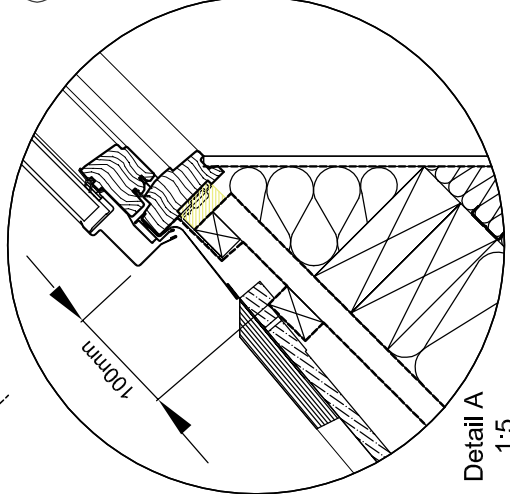
1. Mounting profile
2. Integrated Thermal Collar
3. Double Trimmer (where necessary)



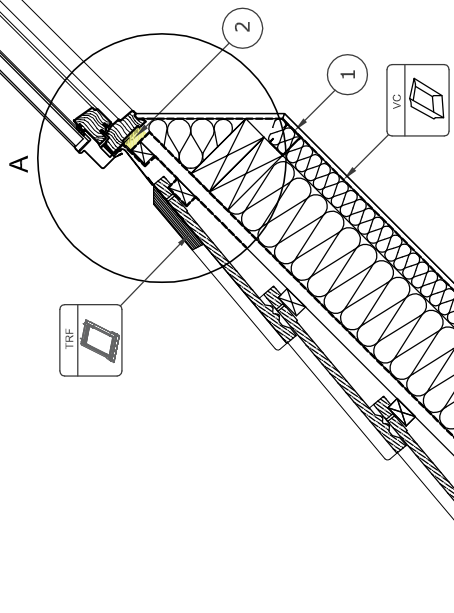
Section B-B'
1:10

- Ceramic Tile
- Batten and Counter Batten
- Ventilation Path
- Breather Membrane
- Insulation - Mineral Wool
- Vapour Barrier
- Internal Finish

4. Side Flashing Holding Piece



Detail A
1:5



Section A-A'
1:10



Roofing Style	max 45mm	Window	CP	Flashing	TRF	Vapour Collar	VC	Angle	15°-90°	DWG No.	CP-C-TRF-100	Scale	1:5 1:10	Format	A3
<p>This drawing is for information and illustrative purposes only and as such cannot substitute a trade for professional advice. All site work must be carried out in accordance with current building regulations. Roof construction needs to be in line with current building regulations. Keylite is not responsible for any installation quality on the roof. Documentation only. If printed for display, this product is prohibited.</p>															
<p>www.keylitewindows.com E-Mail: info@keylite.co.uk Tel: 028 9875 8921 Fax: 028 9875 8923 Keylite Roof Windows Ltd, Cookstown, County Tyrone, Northern Ireland BT80 8LU.</p>															

