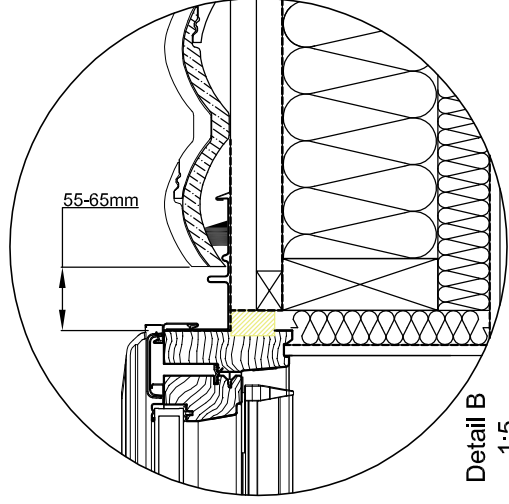


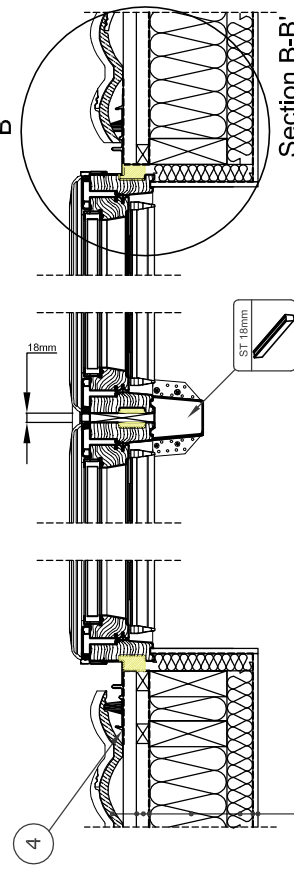
INDICATIVE SECTIONAL VIEW

- Ceramic Tile
- Batten and Counter Batten
- Breather Membrane
- Insulation - Mineral Wool
- Vapour Barrier
- Internal Finish

1. Mounting profile
2. Integrated Thermal Collar
3. Double Trimmer (where necessary)



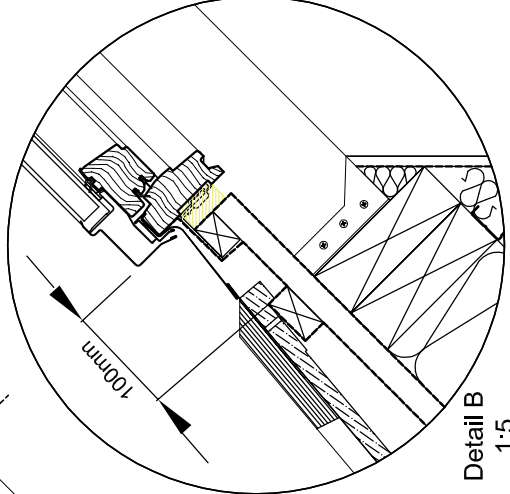
Detail B
1:5



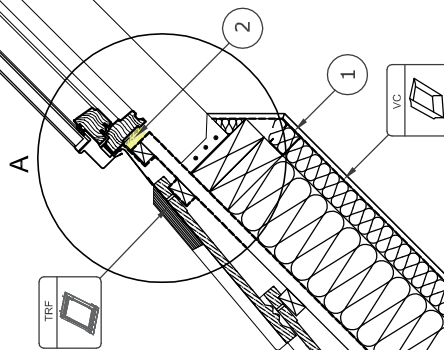
Section B-B'
1:10

- Ceramic Tile
- Batten and Counter Batten
- Ventilation Path
- Breather Membrane
- Insulation - Mineral Wool
- Vapour Barrier
- Internal Finish

4. Side Flashing Holding Piece



Detail B
1:5



Section A-A'
1:10

	www.keyliterate.com E-Mail: info@keylite.co.uk Tel: 028 8976 8921 Fax: 028 8976 8923 Keylite Roofing County Tyrone, Northern Ireland BT85 9LL								DWG No. CP-C-TRF-18ST Rev. A 2018	Scale 1:5 1:10	Format A3
	<p>This drawing is for informational/demonstrative purposes only. All items shown cannot constitute a basis for performance. Roof construction needs to be in line with current building regulations. Keylite is not responsible for the installation quality on the roof. Documentation for product use, copying and sharing, where permitted is provided.</p>										