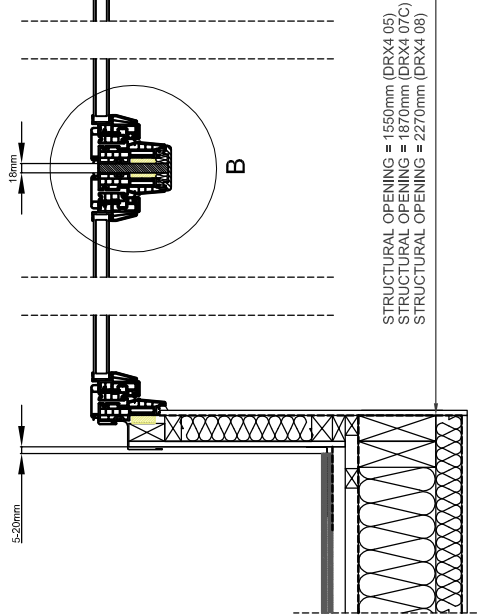
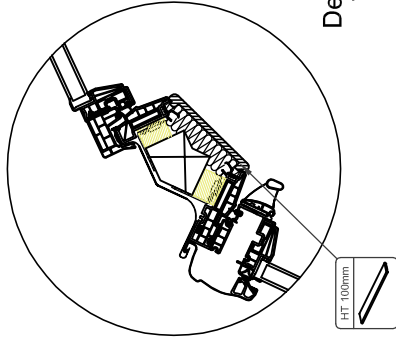


INDICATIVE SECTIONAL VIEW

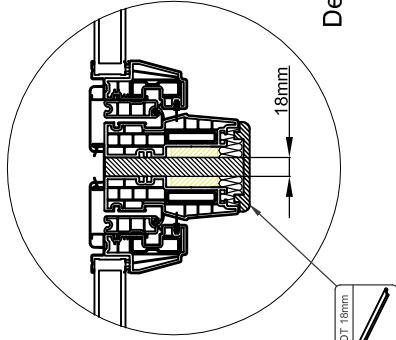


Section B-B'
1:10

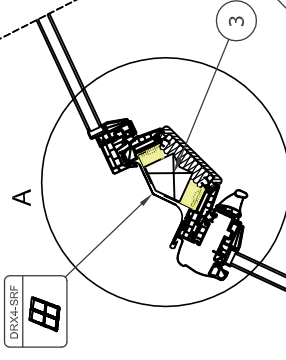
STRUCTURAL OPENING = 1550mm (DRX4 05)
STRUCTURAL OPENING = 1870mm (DRX4 07C)
STRUCTURAL OPENING = 2270mm (DRX4 08)



Detail A
1:5



Detail B
1:5

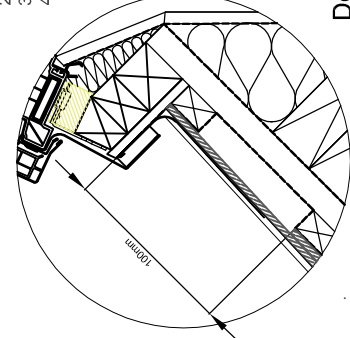


Section A-A'
1:10

Slate
Batten and Counter Batten
Ventilation Path
Breather Membrane
Insulation - Mineral Wool
Vapour Barrier
Internal Finish

Slate
Batten and Counter Batten
Breather Membrane
Insulation - Mineral Wool
Vapour Barrier
Internal Finish

1. Mounting profile
2. Integrated Thermal Collar
3. Ridge Beam
4. Double Trimmer



Detail C
1:5

www.keylitewindows.com E-Mail: info@keylite.co.uk Tel: 028 9875 8921 Fax: 028 9875 8923 Keylite Roof Windows, Northern Ireland BT80 8LU, UK	The drawing is for informational/demonstrative purposes only and is not intended to be used as a basis for performance or liability. All dimensions are in millimeters. Roof construction needs to be in line with current building regulations. Keylite is not responsible for any installation quality or the use of the product. Documentation only for printed use. Copying and sharing without permission is prohibited.	Roofing Style	Window	Upstand	Fashing	Felt Collar	Vapour Collar	Decoration Trims	Angle	DWG No.	Scale	Format
		DRX4-SRF	PCP	DRX4-UJ	DRX4-SRF	VC	FC	VC	HT 100mm DT 100mm	35°-70°	DRX4-SRF Rev. A 2018	1:5 1:10

