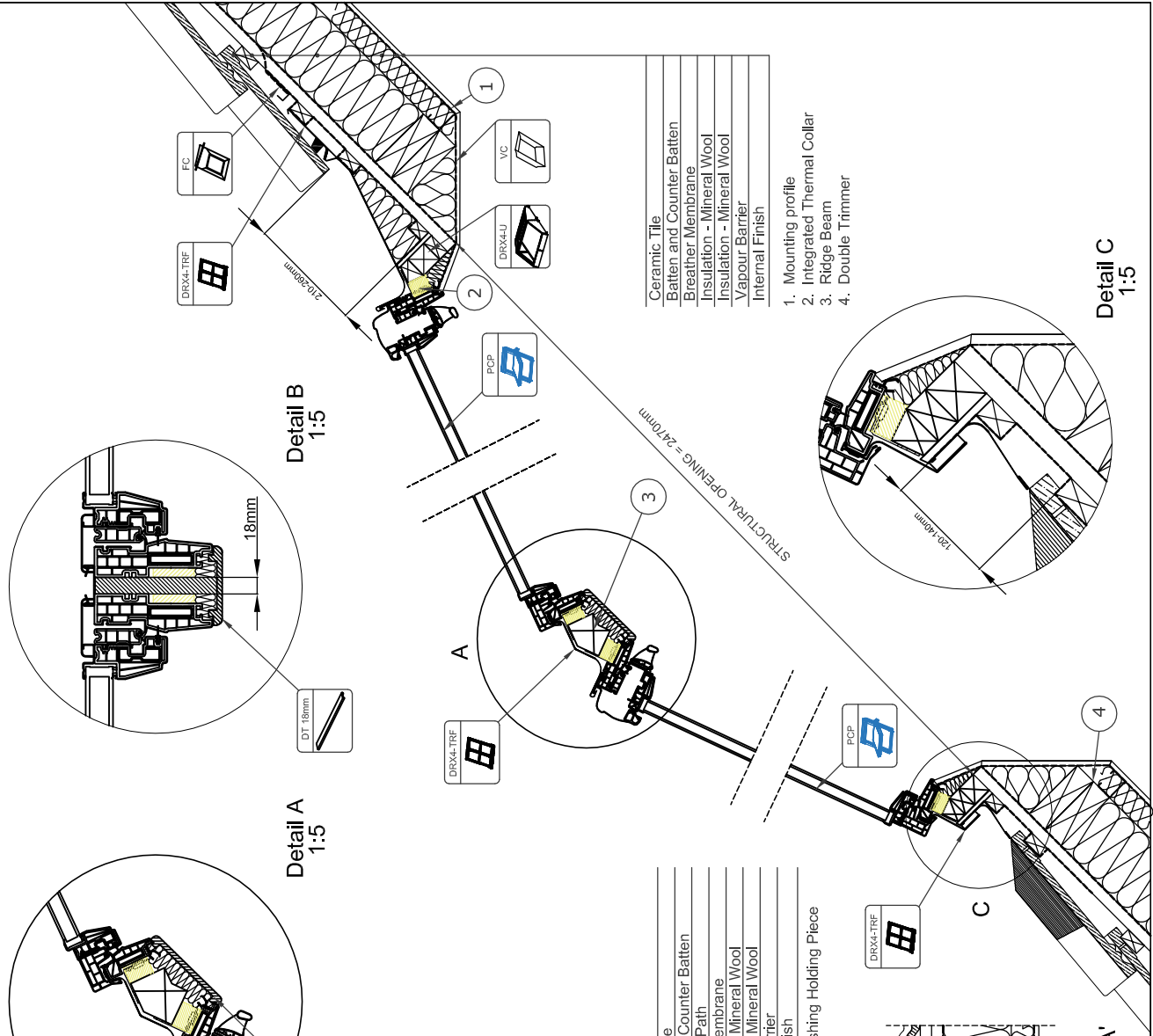
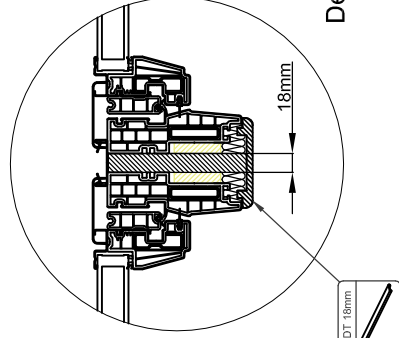
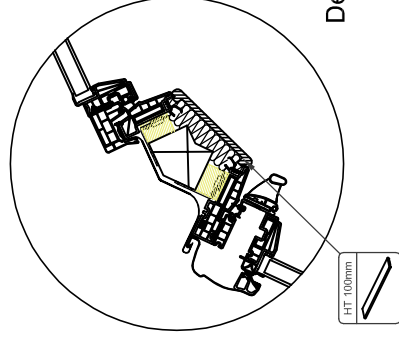
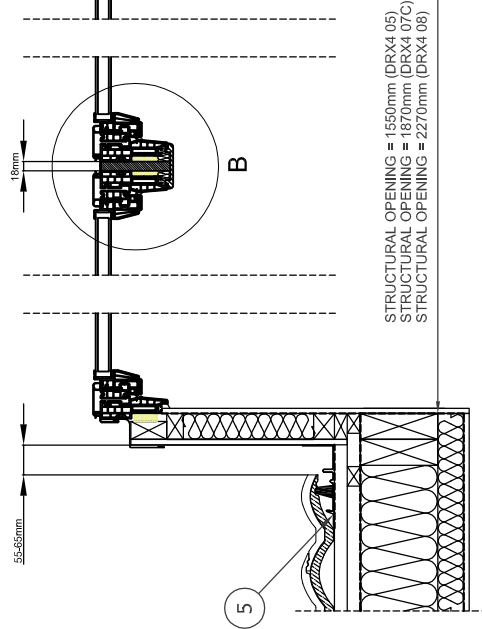


INDICATIVE SECTIONAL VIEW



- Ceramic Tile
- Batten and Counter Batten
- Ventilation Path
- Breather Membrane
- Insulation - Mineral Wool
- Insulation - Mineral Wool
- Vapour Barrier
- Internal Finish
- 5. Side Flashing Holding Piece

- Ceramic Tile
- Batten and Counter Batten
- Breather Membrane
- Insulation - Mineral Wool
- Insulation - Mineral Wool
- Vapour Barrier
- Internal Finish
- 1. Mounting profile
- 2. Integrated Thermal Collar
- 3. Ridge Beam
- 4. Double Trimmer

www.keylitewindows.com E-Mail: info@keylite.co.uk Tel: 028 9875 8921 Fax: 028 9875 8923 Keylite Roof Windows Ltd, Brookstown, County Tyrone, Northern Ireland BT80 8LL		The drawing is for information/demonstrative purposes only and as such cannot constitute a basis for performance or liability. Roof construction needs to be in line with current building regulations. Keylite is not responsible for the installation quality or the use of products. Documentation only for product data. Copying and altering without permission is prohibited.	Roofing Style	Window	Upstand	Flashing	Felt Collar	Vapour Collar	Decoration Trims	Angle	DWG No.	Scale	Format
			DRX4-TRF	PCP	DRX4-U	DRX4-TRF	VC	HT 100mm DT 100mm	35°-70°	DRX4-TRF Rev. A 2018	1:5 1:10	A3	