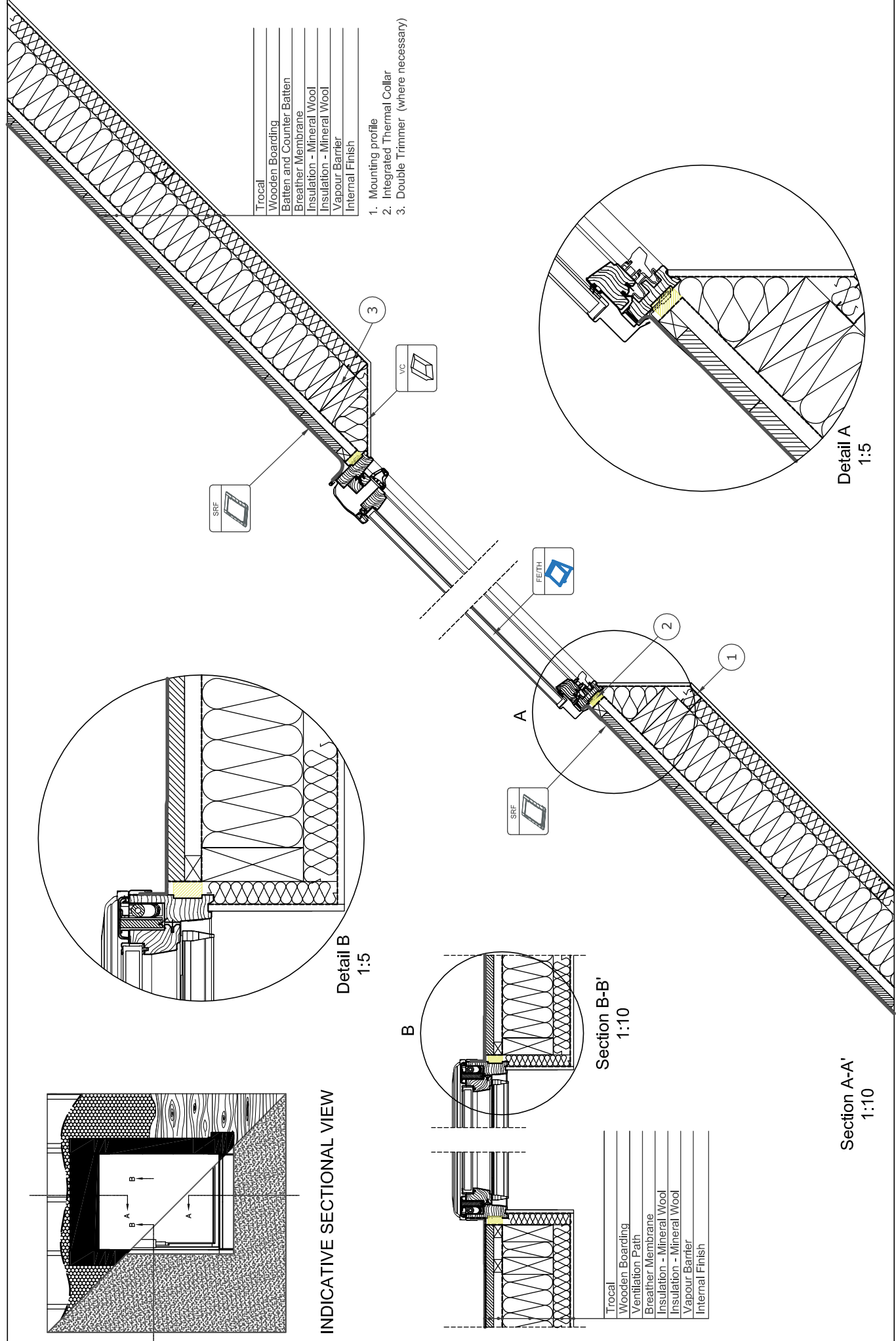


INDICATIVE SECTIONAL VIEW



Trocal
Wooden Boarding
Batten and Counter Batten
Breather Membrane
Insulation - Mineral Wool
Insulation - Mineral Wool
Vapour Barrier
Internal Finish

1. Mounting profile
2. Integrated Thermal Collar
3. Double Trimmer (where necessary)

Trocal
Wooden Boarding
Ventilation Path
Breather Membrane
Insulation - Mineral Wool
Insulation - Mineral Wool
Vapour Barrier
Internal Finish

www.keyliteofwindows.com E-Mail: info@keylite.co.uk Tel: 028 8675 8921 Fax: 028 8675 8923 Keylite Roof Windows Ltd, Cookstown, County Tyrone, Northern Ireland BT189 8LU.		This drawing is for information and illustrative purposes only and as such cannot substitute a trade for performance. All dimensions are to be taken from the drawing. Roof construction needs to be in line with current building regulations. Keylite is not responsible for any installation quality on the roof. Documentation only. If printed on, copying and pasting, without permission is prohibited.				DWG No.	Scale	Format
		FE/TH-SRF-2	1:5 1:10	A3	Roofing Style Trocal Window FE/TH Flashing SRF Felt Collar FC Vapour Collar VC Angle 15°-75° Rev. A 2018			

