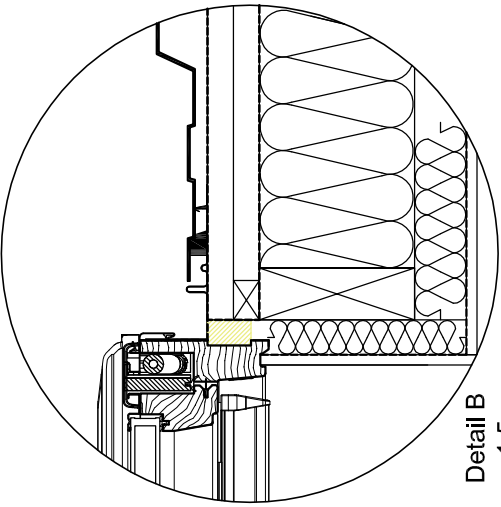
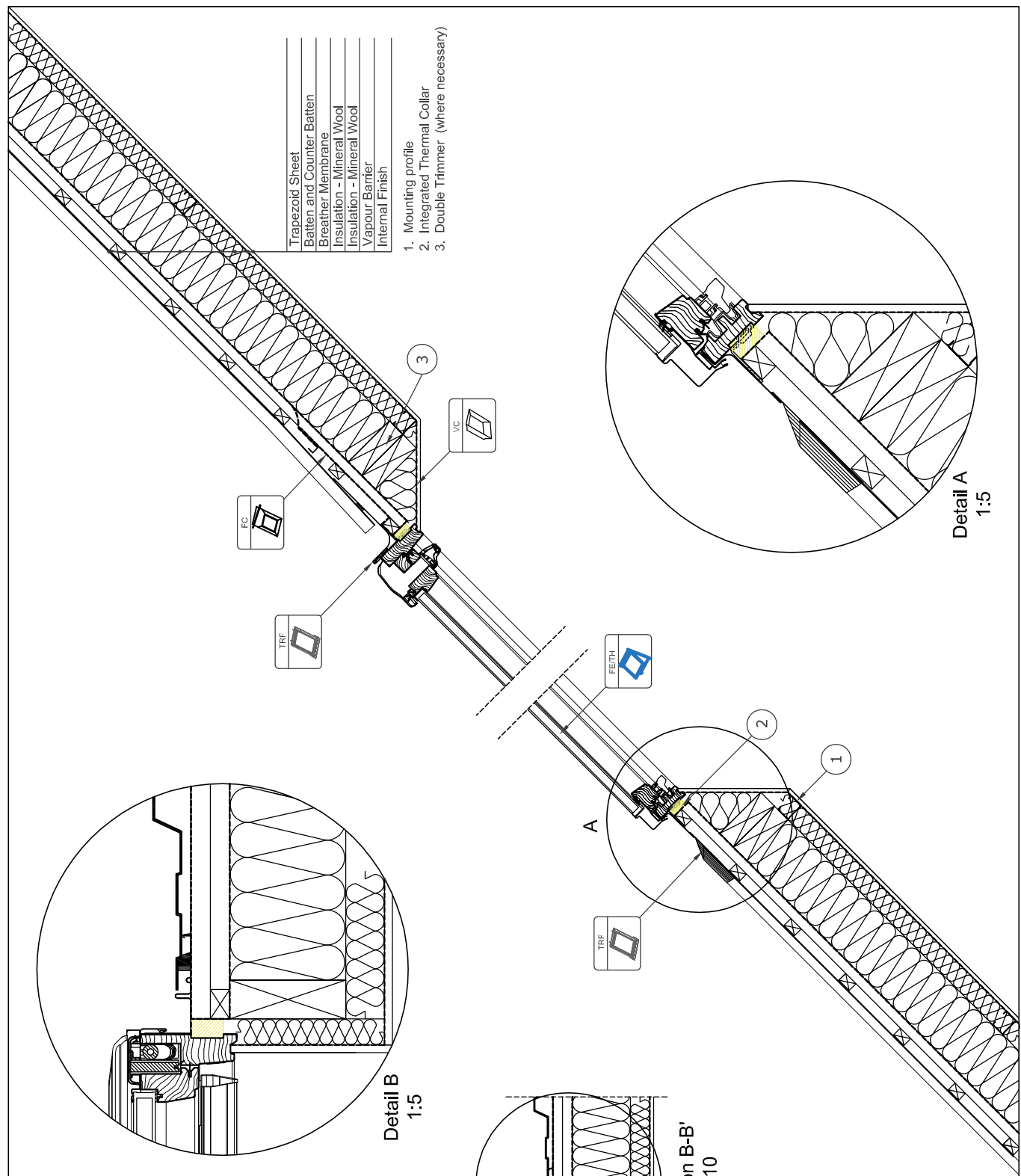


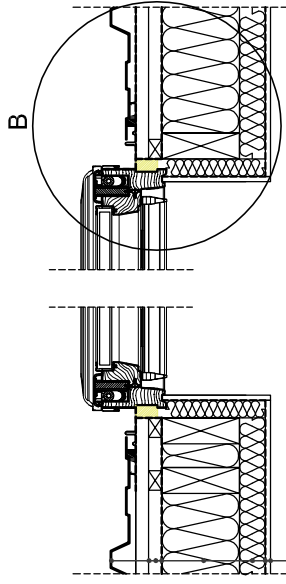
INDICATIVE SECTIONAL VIEW

- \_\_\_\_\_ Trapezoid Sheet
- \_\_\_\_\_ Batten and Counter Batten
- \_\_\_\_\_ Breather Membrane
- \_\_\_\_\_ Insulation - Mineral Wool
- \_\_\_\_\_ Insulation - Mineral Wool
- \_\_\_\_\_ Vapour Barrier
- \_\_\_\_\_ Internal Finish

1. Mounting profile
2. Integrated Thermal Collar
3. Double Trimmer (where necessary)

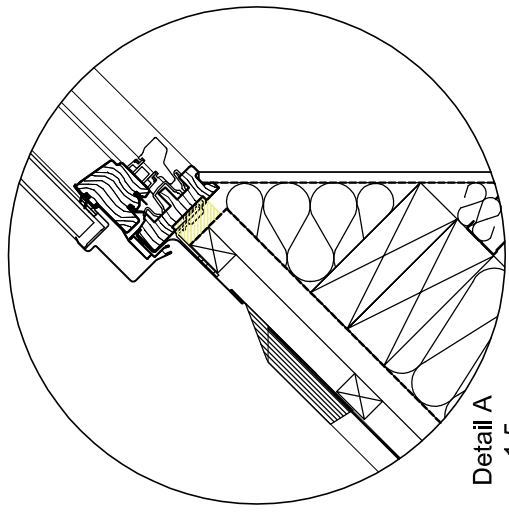


Detail B  
1:5



Section B-B'  
1:10

- \_\_\_\_\_ Trapezoid Sheet
- \_\_\_\_\_ Batten and Counter Batten
- \_\_\_\_\_ Ventilation Path
- \_\_\_\_\_ Breather Membrane
- \_\_\_\_\_ Insulation - Mineral Wool
- \_\_\_\_\_ Insulation - Mineral Wool
- \_\_\_\_\_ Vapour Barrier
- \_\_\_\_\_ Internal Finish



Detail A  
1:5

<a href="http://www.keyliteofwindows.com">www.keyliteofwindows.com</a> E-Mail: <a href="mailto:info@keylite.co.uk">info@keylite.co.uk</a> Tel: 028 9675 8921 Fax: 028 9675 8923 Keylite Roof Windows Ltd, Cookstown, County Tyrone, Northern Ireland BT18 3LU.		This drawing is for information/consultative purposes only and as such cannot constitute a legal performance file. All dimensions must be checked on site. Roof constructions must be in line with current building regulations. Keylite is not responsible for any installation quality on the roof. Documentation only. If printed on Copying and printing without permission is prohibited.		Roofing Style	Window	Flashing	Felt Collar	Vapour Collar	Angle	DWG No.	Scale	Format
		max 45mm CRF	FE/TH	TRF	FC	VC	20° - 75°	FE/TH-TRF-3	1:5 1:10	A3		

