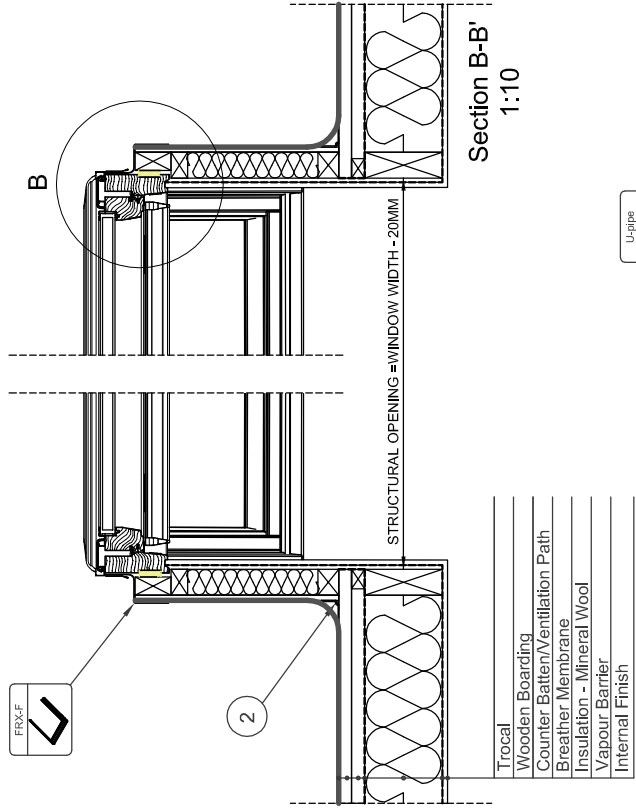
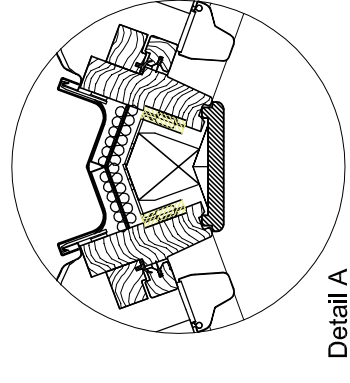
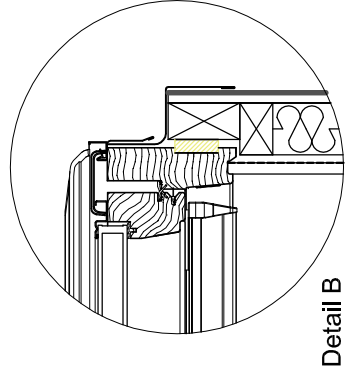


INDICATIVE SECTIONAL VIEW

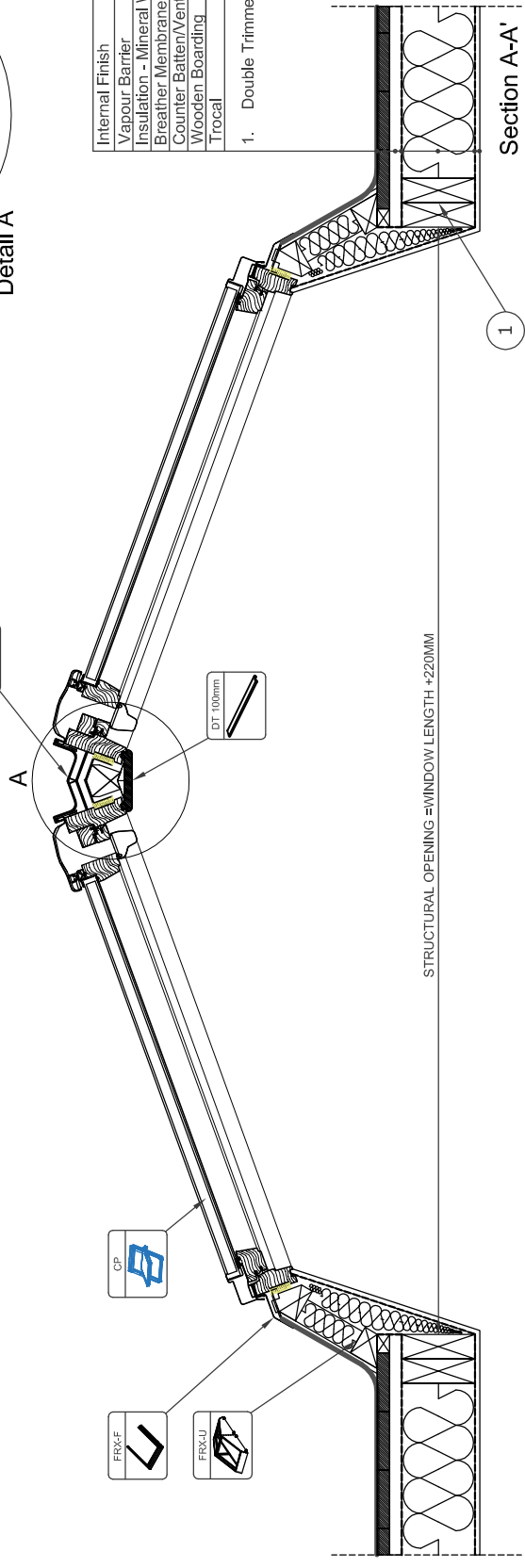


2. Brackets



- Internal Finish
- Vapour Barrier
- Insulation - Mineral Wool
- Breather Membrane
- Counter Batten/Ventilation Path
- Wooden Boarding
- Trocal

1. Double Trimmer (where necessary)



www.keylitteroofwindows.com E-Mail: info@keylite.co.uk Tel: 028 8975 9927 Fax: 028 8975 9923 Keylite Roof Windows County Tyrone, Northern Ireland BT69 9LL	<p>This drawing is for informational/demonstrative purposes only and is not intended to constitute a basis for performance. All other construction details must be in accordance with current building regulations. Keylite Roof Windows is not responsible for the installer's quality of work. Documentation only for personal use. Copying and distributing without permission is prohibited.</p>	Roofing Style	Window	Flashing	Flashing	Upstand	Decoration Trim	Angle	DWG No.	Scale	Format
		Trocal	CP	FRX-F	U-pipe	FRX-U	DT 100mm	0°-15°	CP-FRX	1:5	A3
									Rev. A 2018	1:10	

