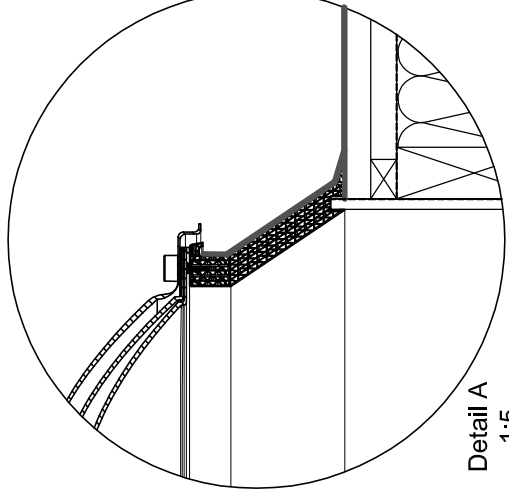
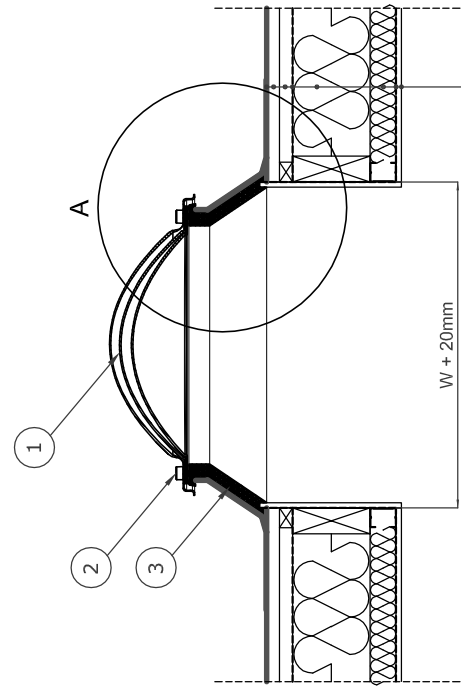


INDICATIVE SECTIONAL VIEW



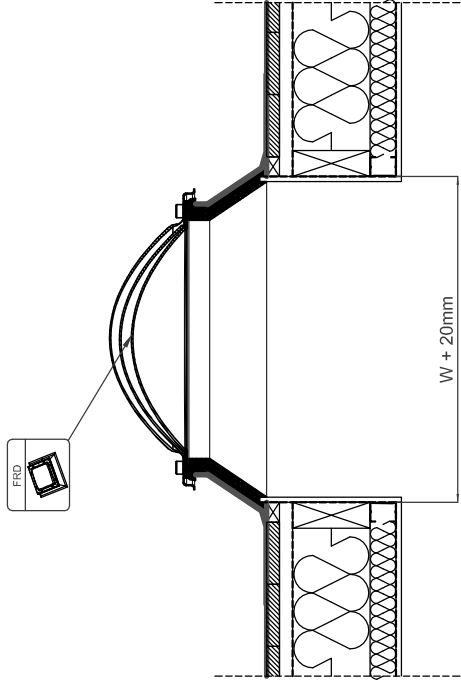
Detail A  
1:5



Section A-A'  
1:10

- Double Trocal
- Wooden Boarding
- Counter Batten/Ventilation Path
- Breather Membrane
- Insulation - Mineral Wool
- Vapour Barrier
- Internal Finish

1. Polycarbonate Triple Dome
2. High Security Screwbolt
3. PVCu Kerb



Section B-B'  
1:10



www.keylitteroofwindows.com  
E-Mail: info@keylite.co.uk  
Tel: 028 8975 8921 Fax: 028 8975 8925  
Keylite Roof Windows Ltd  
County Tyrone, Northern Ireland BT69 8LU



This drawing is for informational/demonstrative purposes only and as such cannot constitute a building performance certificate. All constructions must be built in accordance with current building regulations. Keylite is not responsible for the installation quality on the roof. Documentation only for product use. Copying and sharing without permission is prohibited.

Roofing Style	Window	Angle	DWG No.	Scale	Format
Trocal	FRD	0°-25°	FRD-1	1:5	A3
			Rev. A, 2018	1:10	