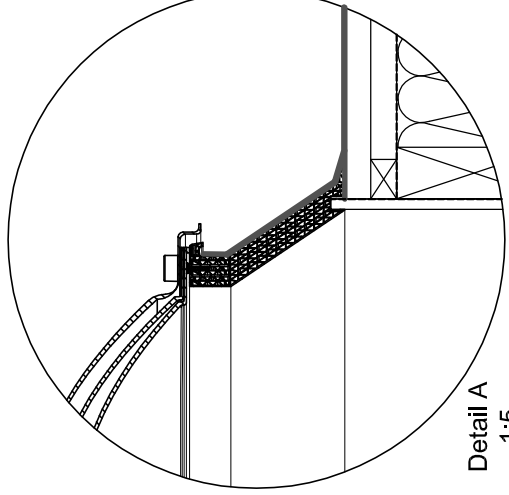
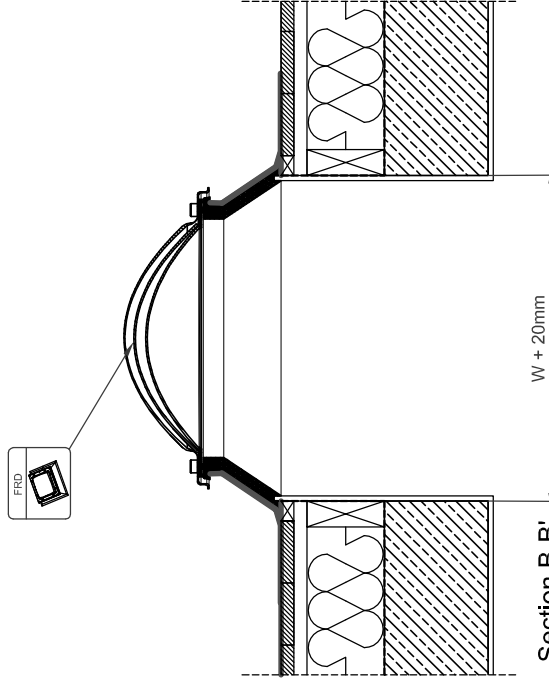


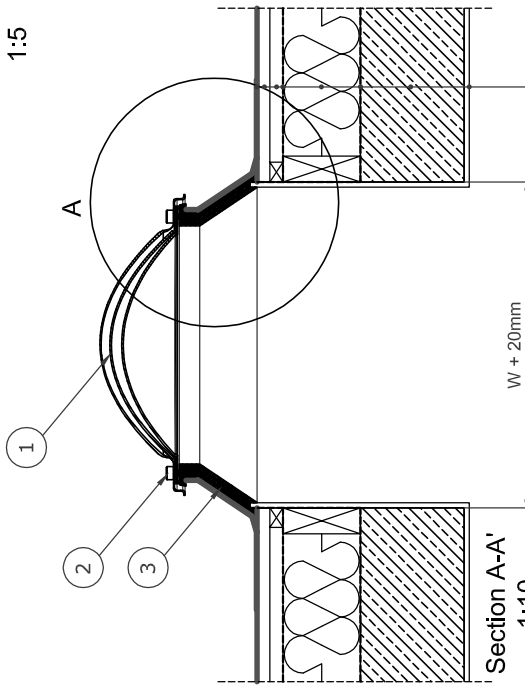
INDICATIVE SECTIONAL VIEW



Detail A
1:5



Section B-B'
1:10



Section A-A'
1:10

- Double Trocal
- Wooden Boarding
- Counter Batten/Ventilation Path
- Breather/Membrane
- Insulation - Mineral Wool
- Vapour Barrier
- Reinforced-concrete Ceiling
- Internal Finish

1. Polycarbonate Triple Dome
2. High Security Screwbolt
3. PVCu Kerb



www.keyliterateofwindows.com
 E-Mail: info@keylite.co.uk
 Tel: 028 8975 8924 Fax: 028 8975 8925
 Keylite Roof Windows Ltd
 County Tyrone, Northern Ireland BT69 8LU



This drawing is for information/illustrative purposes only and as such cannot constitute a building performance certificate. All other drawings should be read in conjunction with this. Roof constructions must be in full compliance with current building regulations. Keylite Roof Windows Ltd is not responsible for the installation quality or the use of this drawing. Documentation only for product use. Copying and sharing without permission is prohibited.

Roofing Style	Window	Angle	DWG No.	Scale	Format
Trocal	FRD	0°-25°	FRD-2	1:5 1:10	A3
			Rev. A, 2018		