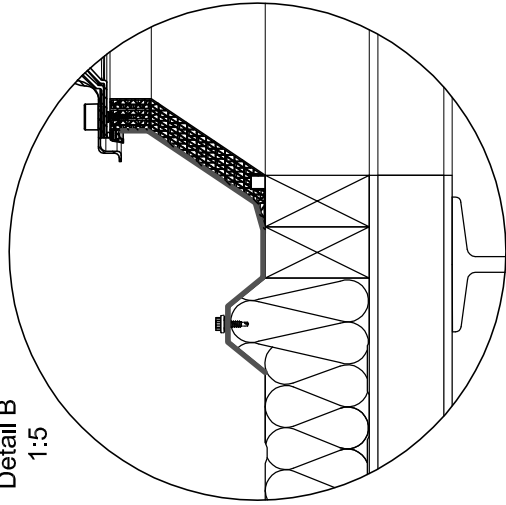
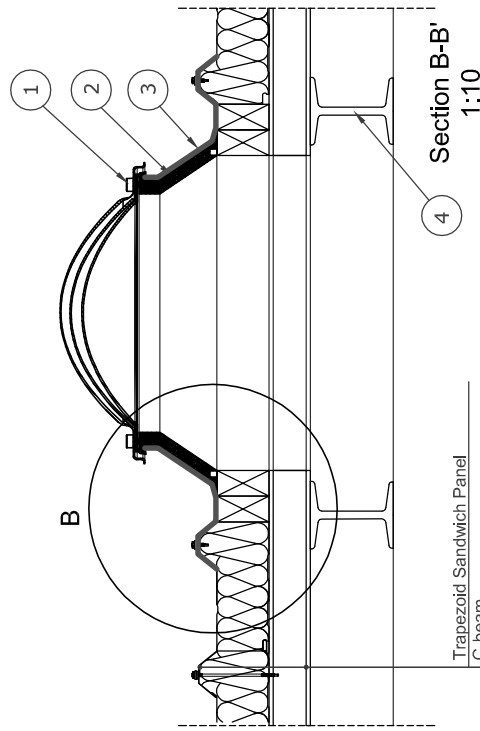
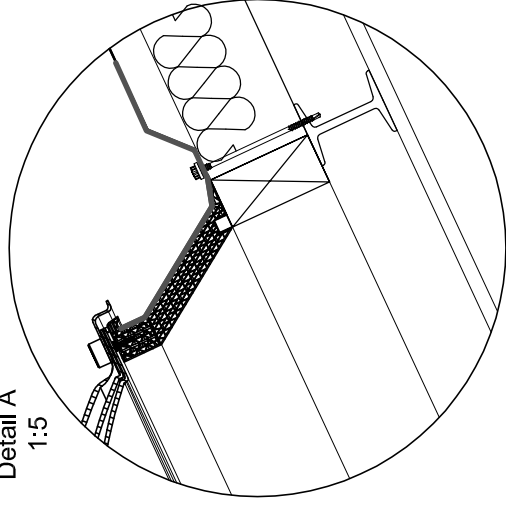


INDICATIVE SECTIONAL VIEW

Detail B
1:5

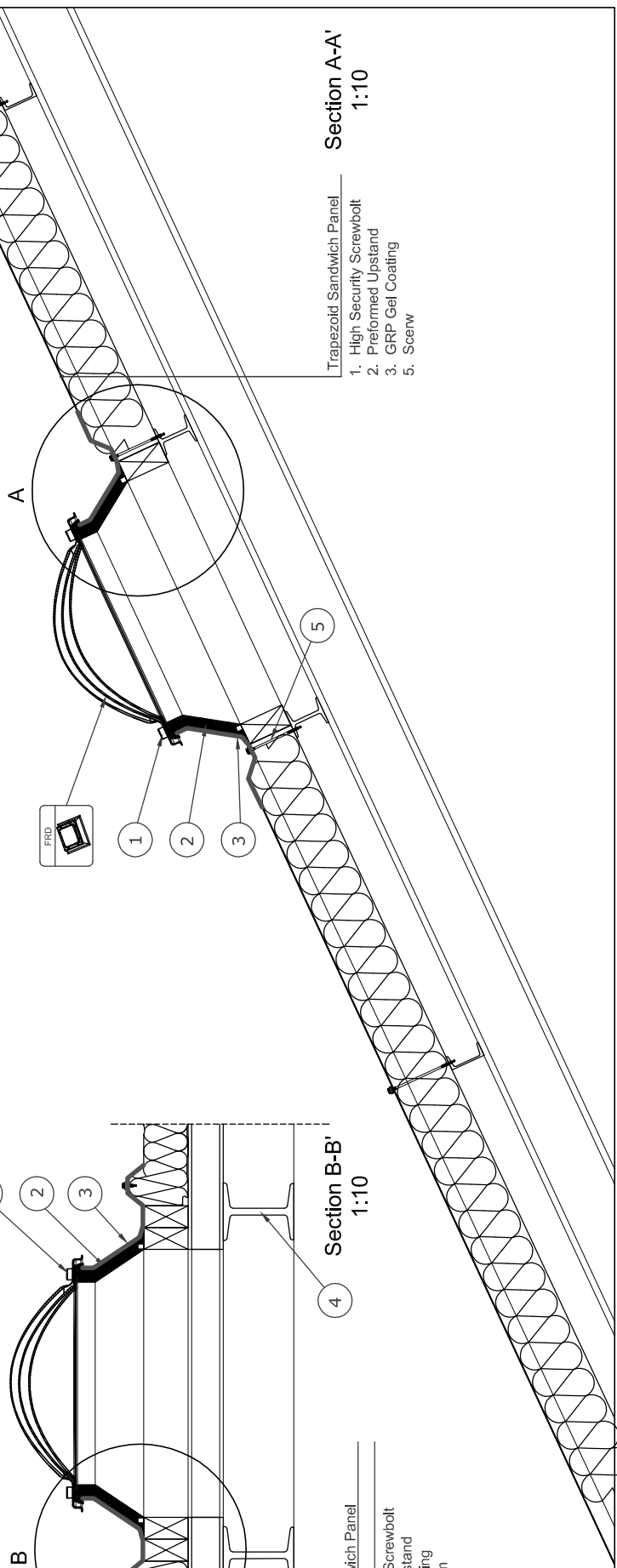


Detail A
1:5



Trapezoid Sandwich Panel
C-beam

1. High Security Screwbolt
2. Preformed Upstand
3. GRP Gel Coating
4. Double T-beam



Section A-A'
1:10

- Trapezoid Sandwich Panel
1. High Security Screwbolt
 2. Preformed Upstand
 3. GRP Gel Coating
 5. Screw



www.keyliterate.com
E-Mail: info@keylite.co.uk
Tel: 028 8975 8921 Fax: 028 8975 8923
Keylite Roof Windows Ltd
County Tyrone, Northern Ireland BT69 8LU.



This drawing is for informational/demonstrative purposes only and as such cannot constitute a technical performance. All other drawings are subject to the current building regulations. Roof constructions must be in full compliance with current building regulations. Keylite is not responsible for the installation quality on the roof. Documentation only, for printed use. Copying and sharing without permission is prohibited.

Roofing Style	Window	Angle	DWS No.	Scale	Format
CRF	FRD	20°-25°	FRD-SS-CRF-1	1:5	A3
			Rev. A, 2018	1:10	