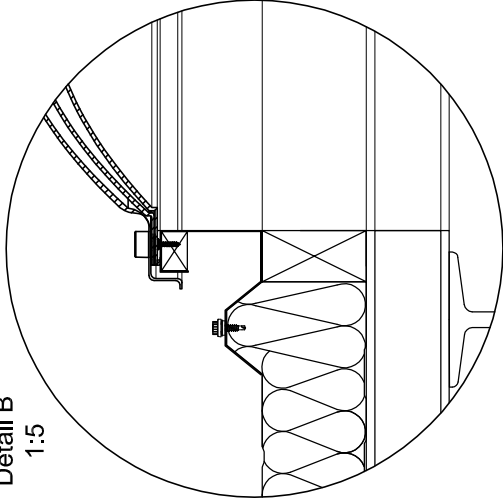
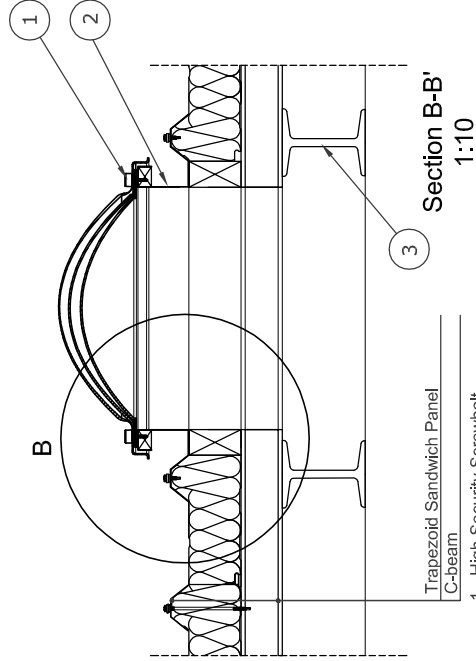
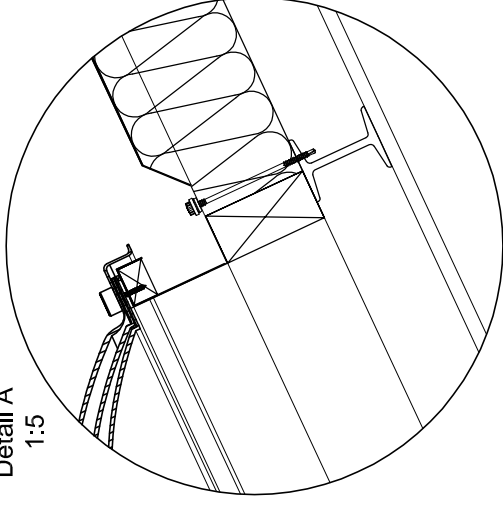


INDICATIVE SECTIONAL VIEW

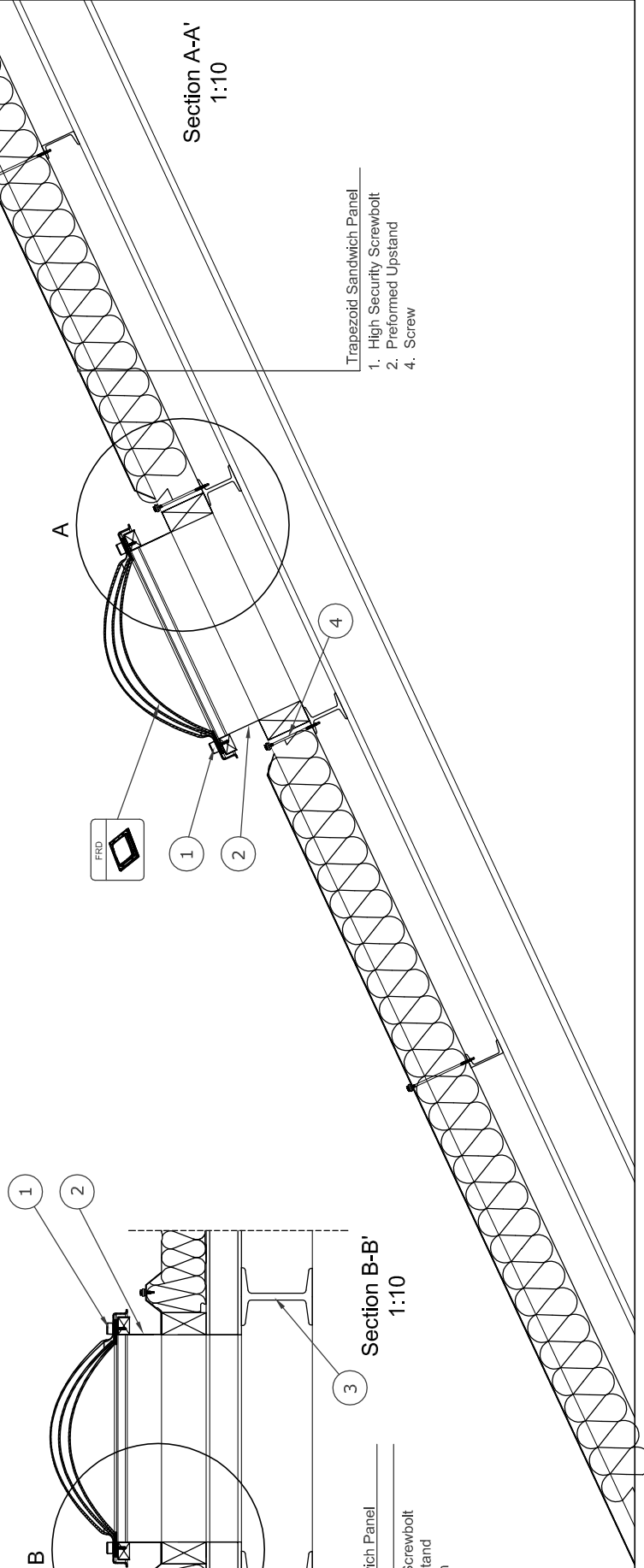
Detail B  
1:5



Detail A  
1:5



Trapezoid Sandwich Panel  
C-beam  
1. High Security Screwbolt  
2. Preformed Upstand  
3. Double T-beam



Section A-A'  
1:10

Trapezoid Sandwich Panel  
1. High Security Screwbolt  
2. Preformed Upstand  
4. Screw



www.keyliterateofwindows.com  
E-Mail: info@keylite.co.uk  
Tel: 028 8975 8921 Fax: 028 8975 8925  
Keylite Roof Windows Ltd., 100  
County Tyrone, Northern Ireland BT69 8LU.



This drawing is for information/illustrative purposes only and as such cannot constitute a technical specification. All other drawings should be referred to for full details. Roof constructions must be in full compliance with current building regulations. Keylite Roof Windows Ltd. is not responsible for the installation quality on the roof. Documentation only. Copying and sharing without permission is prohibited.

Roofing Style	Window	Angle	DWS No.	Scale	Format
CRF	FRD	20°-25°	FRD-SS-CRF-2	1:5 1:10	A3