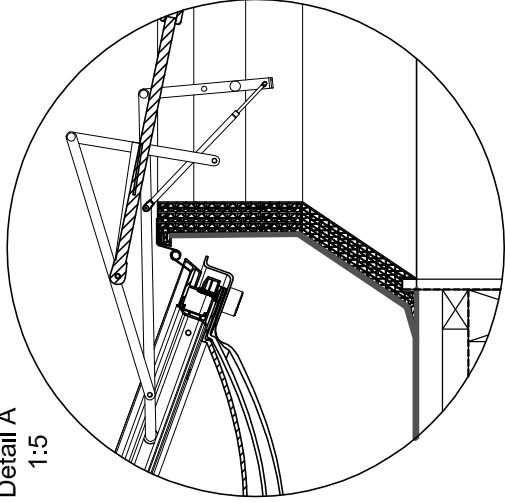
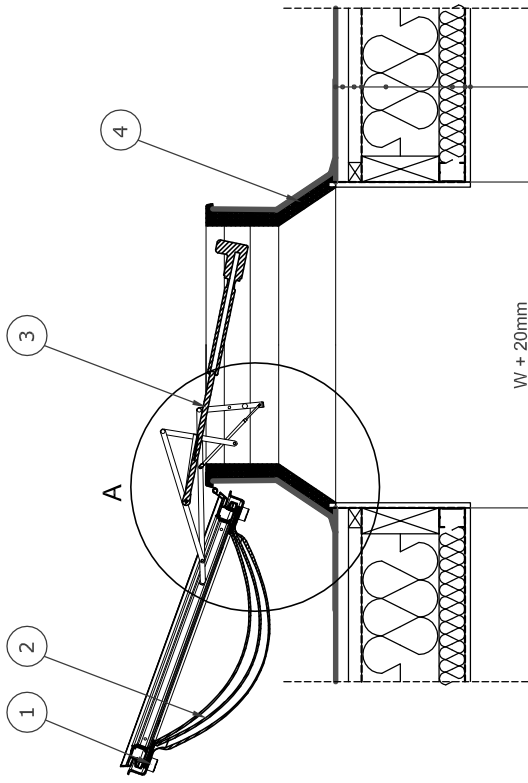
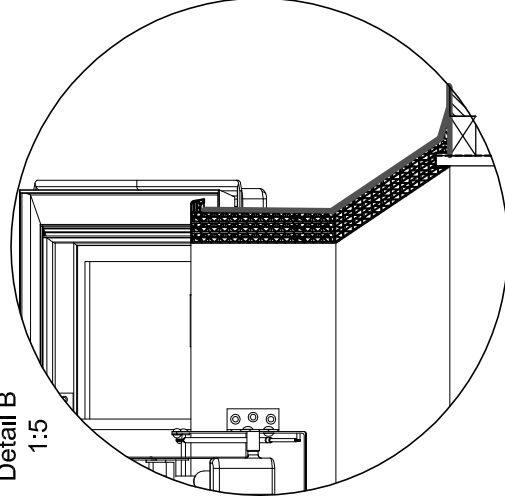


INDICATIVE SECTIONAL VIEW

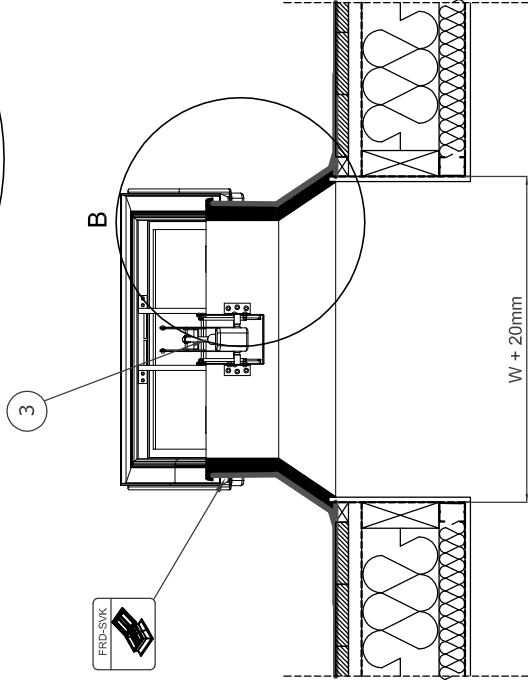
Detail A  
1:5



Detail B  
1:5



Section A-A'  
1:10



Section B-B'  
1:10

Double Trocal
Wooden Boarding
Counter Batten/Ventilation Path
Breather Membrane
Insulation - Mineral Wool
Vapour Barrier
Internal Finish

1. High Security Screwbolt
2. Polycarbonate Triple Dome
3. 1600 opening Ram
4. PVCu Kerb



www.keylitteroofwindows.com  
E-Mail: info@keylite.co.uk  
Tel: 028 8975 8921 Fax: 028 8975 8923  
Keylite Roof Windows Ltd.,  
County Tyrone, Northern Ireland BT69 8LU.



This drawing is for information/illustrative purposes only and as such cannot constitute a technical performance. All dimensions are in millimeters unless otherwise stated. Roof constructions must be in line with current building regulations. Keylite is not responsible for the installation quality on the roof. Documentation only for product use. Copying and sharing without permission is prohibited.



DWG No.  
FRD-SVK  
Rev. A, 2018

Scale  
1:5  
1:10

Format  
A3