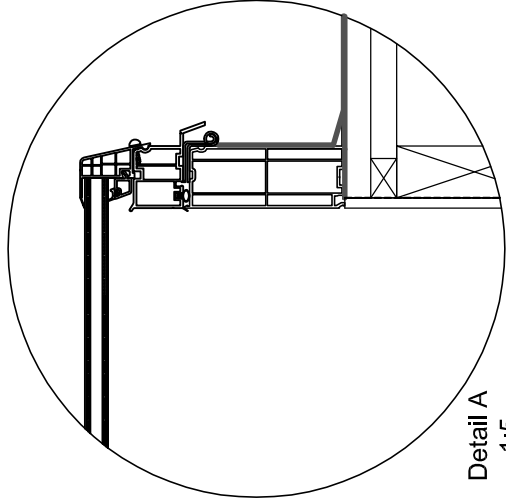
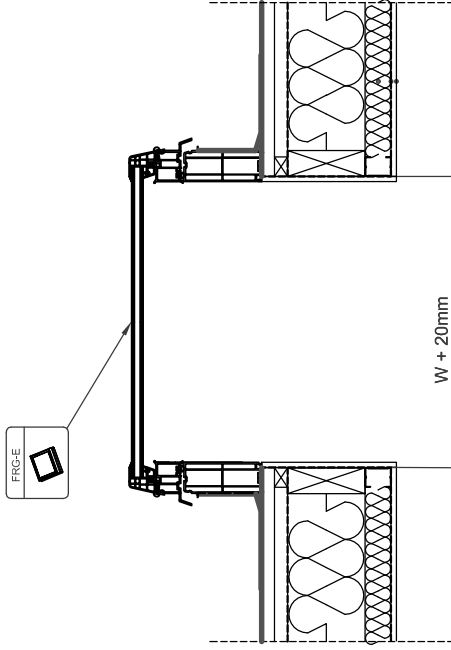


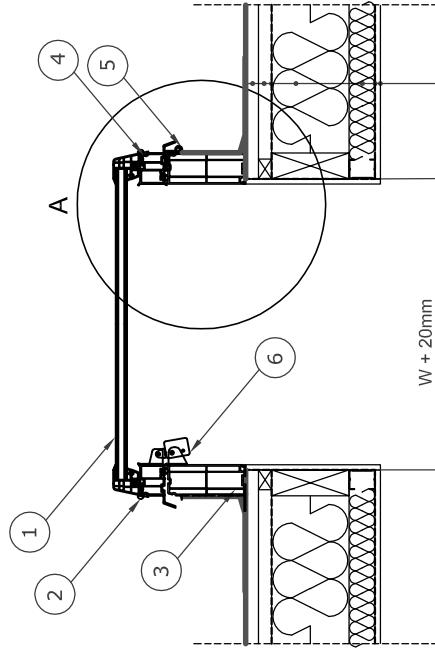
INDICATIVE SECTIONAL VIEW



Detail A
1:5



Section B-B'
1:10



Section A-A'
1:10

- Double Trocal
- Wooden Boarding
- Counter Batten/Ventilation Path
- Breather Membrane
- Insulation - Mineral Wool
- Insulation - Mineral Wool
- Vapour Barrier
- Internal Finish

1. Hinge
2. Flat Double Glazed Unit
3. High Security Screwbolt
4. 150mm PVC Kerb
5. Opening Frame
6. Electric Chain Motor - 200mm Stroke



www.keyliterate.com
E-Mail: info@keylite.co.uk
Tel: 028 8975 8921 Fax: 028 8975 8925
Keylite Roof Windows Ltd
County Tyrone, Northern Ireland BT69 8LL



This drawing is for information/demonstrative purposes only and as such cannot constitute a sealed performance certificate. All other drawings are for information only. Root constructions must be in full compliance with current building regulations. Keylite is not responsible for the installation quality or the use of the product. Keylite is not responsible for any damage to the roof structure. Documentation only for product use. Copying and sharing without permission is prohibited.

Roofing Style	Window	Angle	DWG No.	Scale	Format
Trocal	FRG-E	0°-25°	FRG-M	1:5 1:10	A3
			Rev. A, 2018		