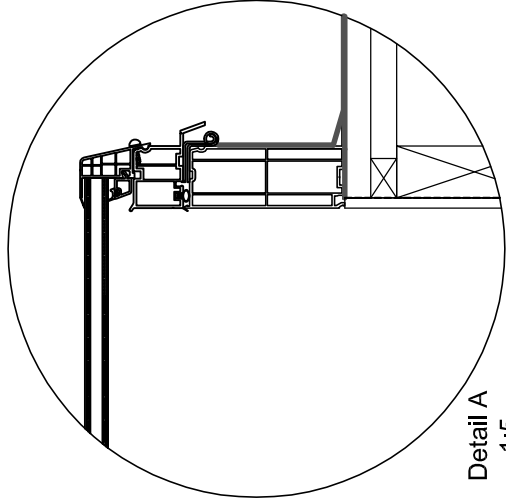
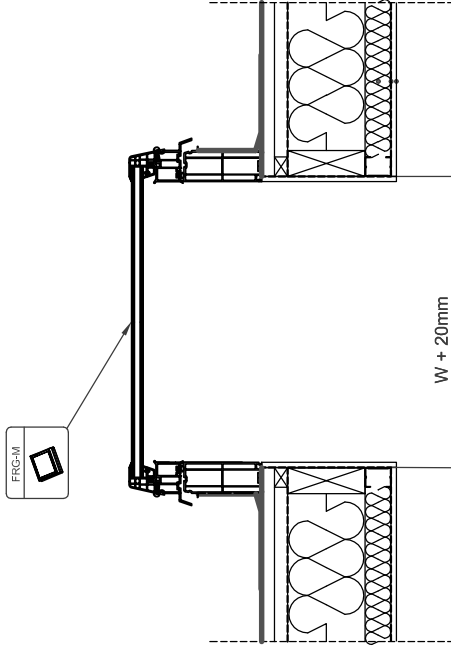


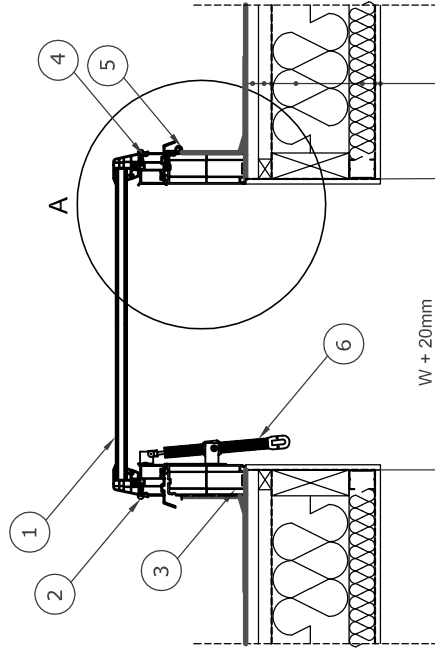
INDICATIVE SECTIONAL VIEW



Detail A
1:5



Section B-B'
1:10



Section A-A'
1:10

- Double Trocal
- Wooden Boarding
- Counter Batten/Ventilation Path
- Breather Membrane
- Insulation - Mineral Wool
- Insulation - Mineral Wool
- Vapour Barrier
- Internal Finish

1. Flat Double Glazed Unit
2. High Security Screwbolt
3. 150mm PVC Kerb
4. Opening Frame
5. Hinge
6. Manual Spindle



www.keylitteroofwindows.com
 E-Mail: info@keylite.co.uk
 Tel: 028 8975 8924 Fax: 028 8975 8925
 Keylite Roof Windows Ltd
 County Tyrone, Northern Ireland BT69 8LL



This drawing is for information/demonstrative purposes only and as such cannot constitute a technical performance. All other drawings should be read in conjunction with this. Roof constructions must be in full compliance with current building regulations. Keylite is not responsible for the installation quality or the use of the drawings for any other purpose. Copying and sharing without permission is prohibited.

Roofing Style	Window	Angle	DWG No.	Scale	Format
Trocal	FRG-M	0°-25°	FRG-M	1:5	A3
			Rev. A, 2017	1:10	