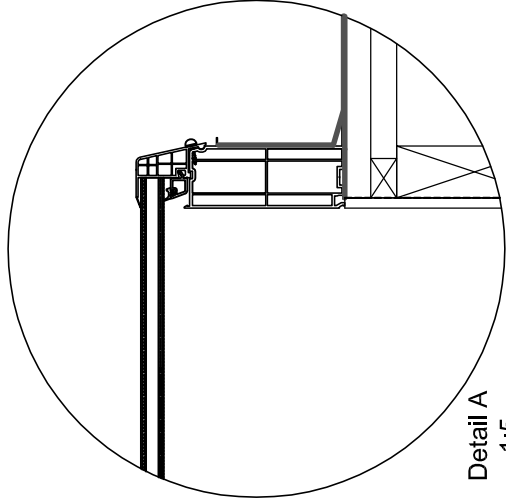
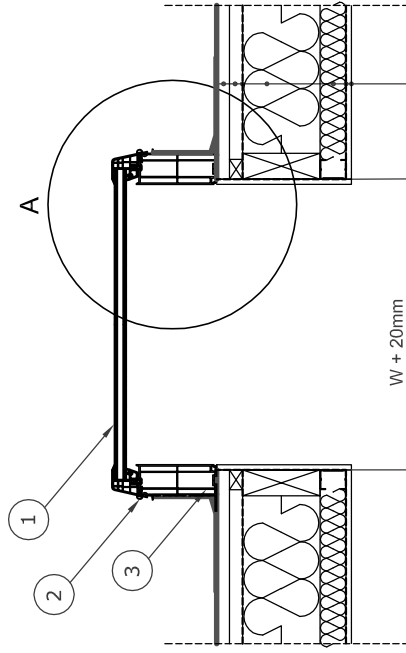


INDICATIVE SECTIONAL VIEW



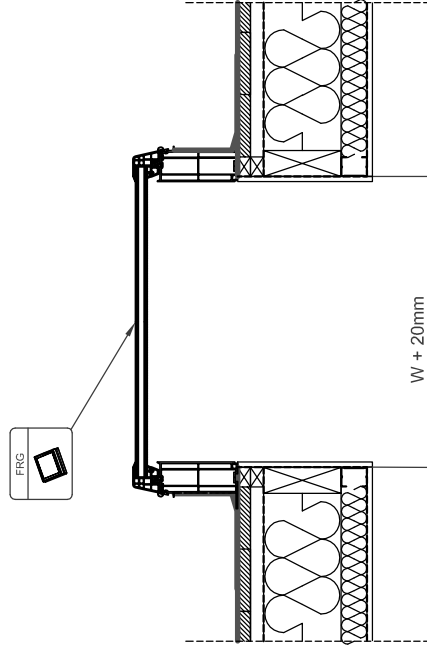
Detail A
1:5



Section A-A'
1:10

- Double Trocal
- Wooden Boarding
- Counter Batten/Ventilation Path
- Breather Membrane
- Insulation - Mineral Wool
- Vapour Barrier
- Internal Finish

1. Flat Double Glazed Unit
2. High Security Screwbolt
3. 150mm PVC Kerb



Section B-B'
1:10



www.keyliterate.com
E-Mail: info@keylite.co.uk
Tel: 028 8975 8924 Fax: 028 8975 8925
Keylite Roof Windows Ltd.
County Tyrone, Northern Ireland BT69 8LU.



This drawing is for information/illustrative purposes only and as such cannot constitute a technical specification. All dimensions are in millimeters unless otherwise stated. Roof constructions must be in full compliance with current building regulations. Keylite is not responsible for the installation quality or the load capacity of the roof. Documentation only for printed use. Copying and sharing without permission is prohibited.

Roofing Style	Window	Angle	DWG No.	Scale	Format
Trocal	FRG	0°-25°	FRG	1:5 1:10	A3