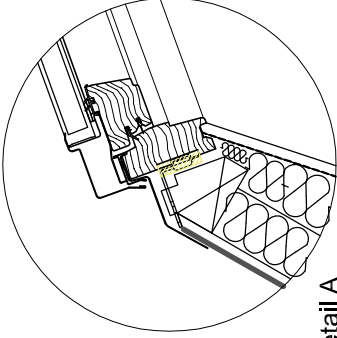
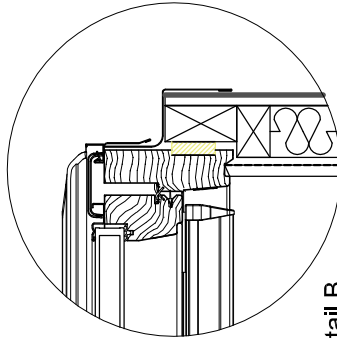


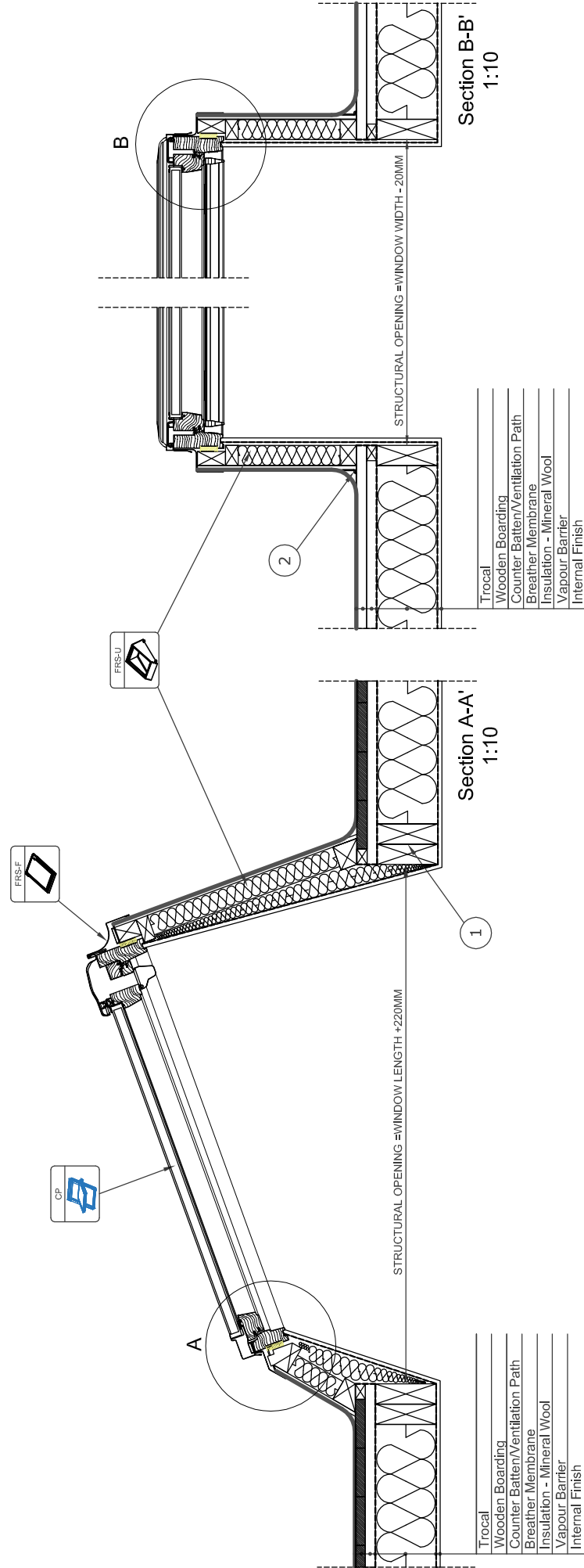
INDICATIVE SECTIONAL VIEW



Detail A  
1:10



Detail B  
1:10



Section A-A'  
1:10

Section B-B'  
1:10

- Trocal
- Wooden Boarding
- Counter Batten/Ventilation Path
- Breather Membrane
- Insulation - Mineral Wool
- Vapour Barrier
- Internal Finish

1. Double Trimmer (where necessary)

2. Brackets

	<a href="http://www.keylitedesign.com">www.keylitedesign.com</a> E-Mail: <a href="mailto:info@keylite.co.uk">info@keylite.co.uk</a> Tel: 028 9675 8921 Fax: 028 9675 8923 Keylite Roof Windows Ltd, Cookstown, County Tyrone, Northern Ireland BT80 8LU.	Trocal 0°-90°	CP 15°-90°	FRS-F 0°-15°	FRS-U 0°-15°	0°-15°	DWG No. CP-FRS Rev. A 2018	Scale 1:5 1:10	Format A3
	<p>This drawing is for informational/demonstrative purposes only and is not intended to be used as a basis for construction. All roof constructions need to be built in accordance with current building regulations. Keylite is not responsible for the installation quality on the roof. Documentation for permitted use copying or creating mirror products is available.</p>								