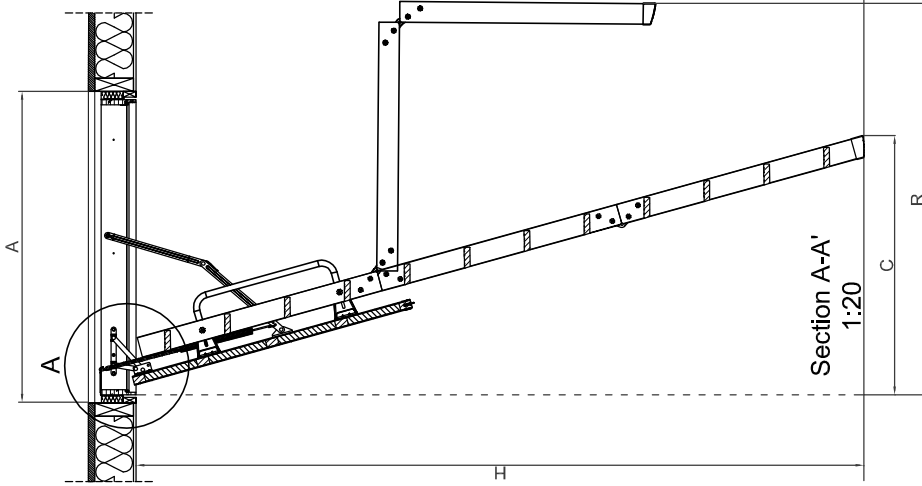
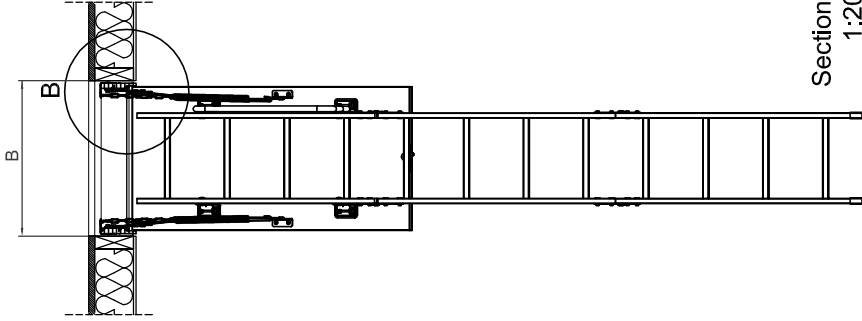


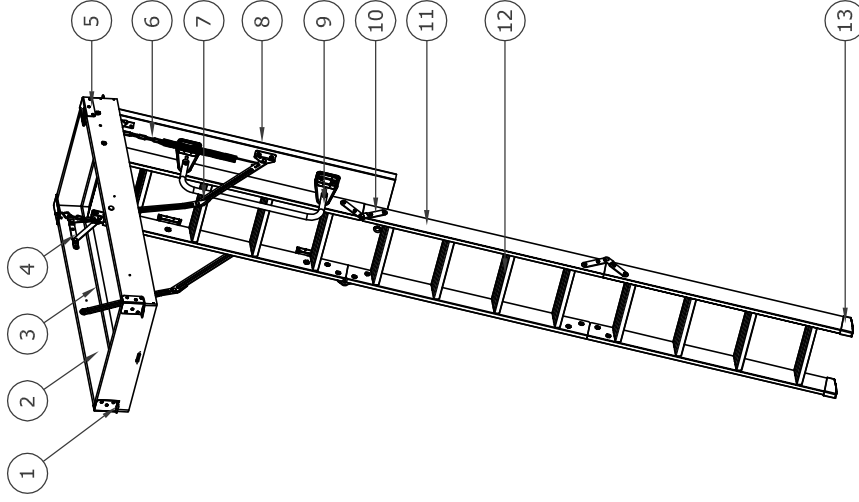
INDICATIVE SECTIONAL VIEW



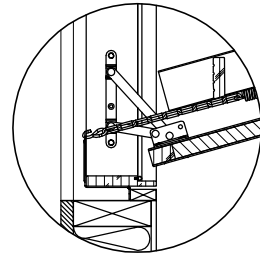
Section A-A'  
1:20



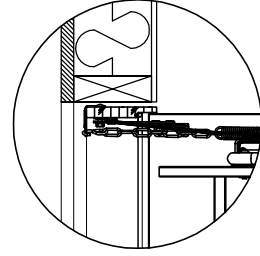
Section B-B'  
1:20



1. Flick-Fit Brackets
2. Framebox
3. Seal
4. Trapdoor Hinge
5. Corner Bracket
6. Chain with Spring
7. Hinge
8. HDF Trapdoor
9. Handrail with mounting brackets
10. Ladder Hinge
11. Ladder Stile
12. Retreading Rung
13. Plastic Feet



Detail A  
1:10



Detail B  
1:10

| Keylite Product Code           | KYL02    | KYL05    | KYL08    |
|--------------------------------|----------|----------|----------|
| A x B                          | 550x1200 | 600x1200 | 700x1200 |
| Frame material<br>of<br>ladder | 530x1140 | 580x1140 | 680x1140 |
| Number of<br>ladders           | 3        | 3        | 3        |
| C (mm)                         | 1025     | 1025     | 1025     |
| R (mm)                         | 1565     | 1565     | 1565     |
| H (mm)                         | 2800     | 2800     | 2800     |



www.keylitteroofwindows.com  
 E-Mail: info@keylite.co.uk  
 Tel: 028 8975 9821 Fax: 028 8975 9823  
 Keylite Roof Windows  
 County Tyrone, Northern Ireland BT69 3LU.



This drawing is for informational/demonstrative purposes only and is not intended to constitute a basis for performance. All dimensions are in millimeters unless otherwise stated. Roof construction must be in accordance with current building regulations. Keylite Roof Windows is not responsible for the installation quality on the roof. Documentation for professional use only. Copying and distribution without permission is prohibited.



DWG No.  
 KYL  
 Rev. A 2018

Scale  
 1:10  
 1:20

Format  
 A3