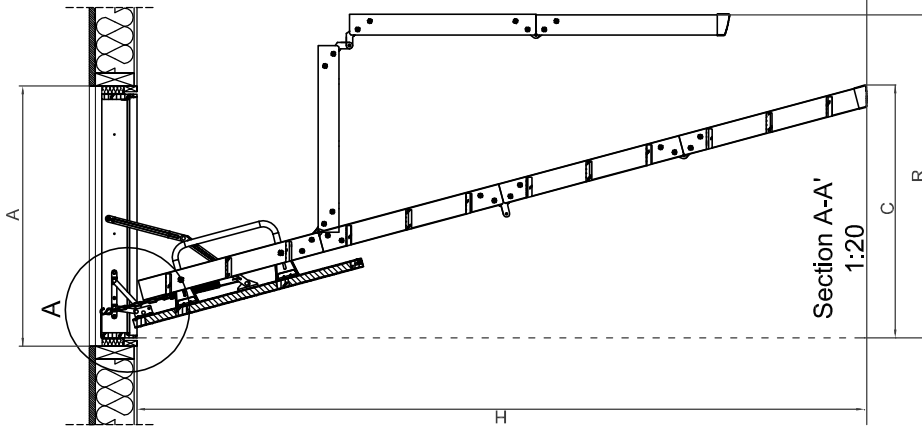
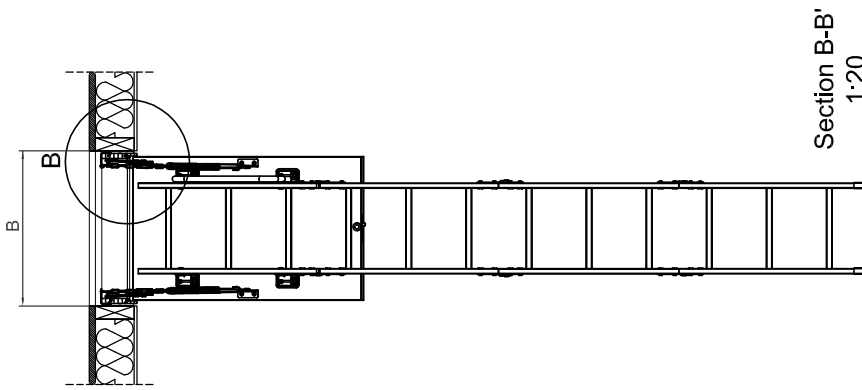


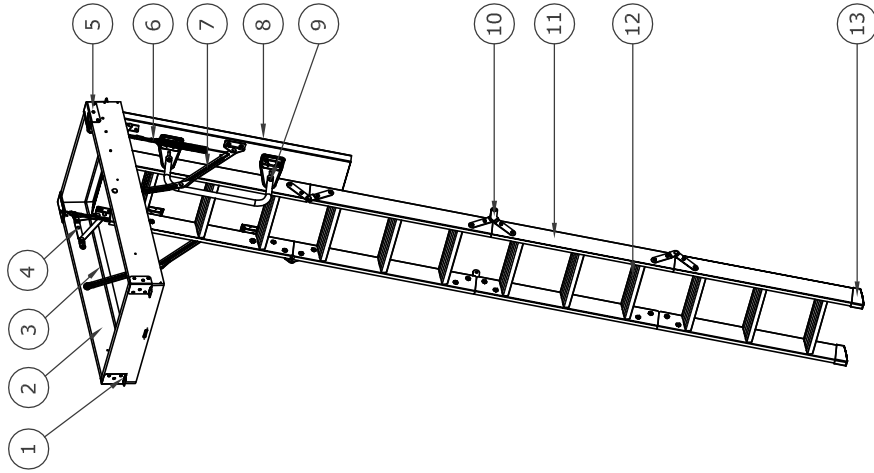
INDICATIVE SECTIONAL VIEW



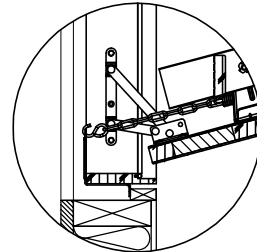
Section A-A'
1:20



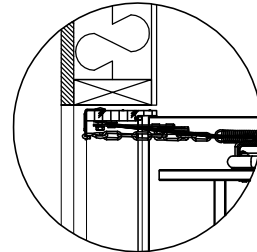
Section B-B'
1:20



1. Flick-Fit Brackets
2. Framebox
3. Seal
4. Trapdoor Hinge
5. Corner Bracket
6. Chain with Spring
7. Hinge
8. HDF Trapdoor
9. Handrail with mounting brackets
10. Ladder Stile
11. Ladder Rung
12. Retreading Rung
13. Plastic Feet



Detail A
1:10



Detail B
1:10

Keylite Product Code	KYL01	KYL03	KYL04	KYL06	KYL07	KYL09
A x B	550x1000	550x1200	600x1000	600x1200	700x1000	700x1200
Frame external dimensions (mm)	530x940	530x1140	580x940	580x1140	680x940	680x1140
Number of rungs	4	4	4	4	4	4
C (mm)	1025	1145	1025	1145	1025	1145
R (mm)	1300	1655	1300	1655	1300	1655
H (mm)	2800	3200	2800	3200	2800	3200

This drawing is for informational/demonstrative purposes only and is not intended to constitute a basis for performance. All dimensions are in millimeters unless otherwise stated. Roof constructions need to be in line with current building regulations. Keylite Roof Windows is not responsible for the installation quality on the roof. Documentation only for professional use. Copying and distributing without permission is prohibited.



www.keylitteroofwindows.com
E-Mail: info@keylite.co.uk
Tel: 028 8975 9821 Fax: 028 8975 9823
Keylite Roof Windows Ltd
County Tyrone, Northern Ireland BT69 3LU.



Loft Ladder	Opening pool	DWG No.	Scale	Format
KYL		KYL	1:10	A3
		Rev. A, 2018	1:20	