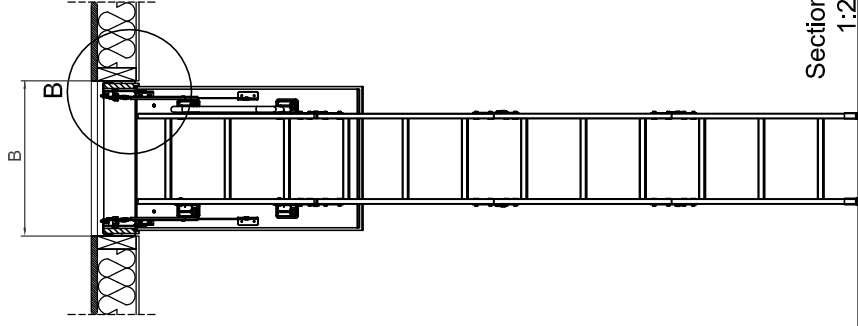
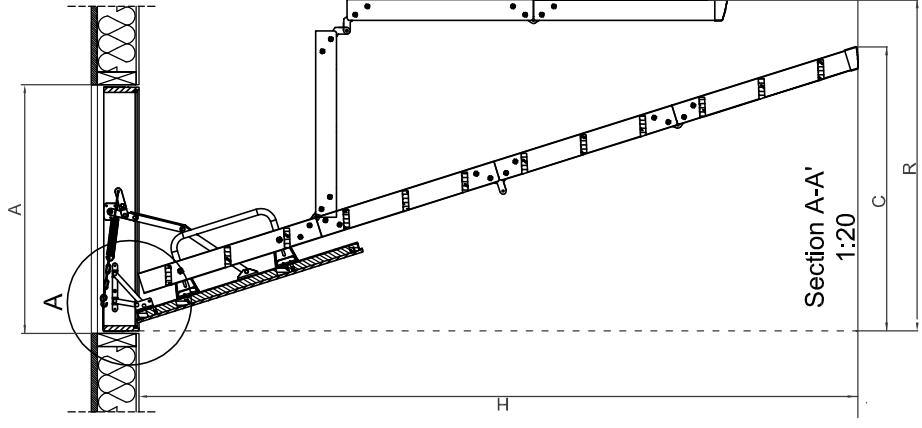


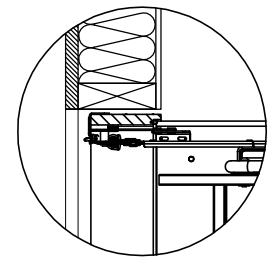
- 1. Flick-Fit Brackets
- 2. Framebox
- 3. Seal
- 4. Chain with Spring
- 5. Trapdoor Hinge
- 6. Corner Bracket
- 7. Fire Resistance MDF Trapdoor
- 8. Hinge
- 9. Handrail with mounting brackets
- 10. Expanding Seal
- 11. Ladder Sill
- 12. Ladder Hinge
- 13. Retreading Rung
- 14. Plastic Feet



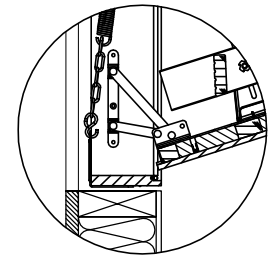
Section A-A'
1:20



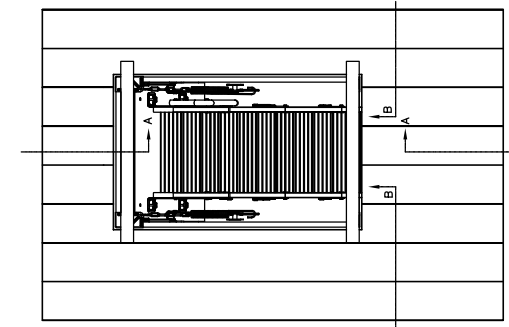
Section B-B'
1:20



Detail B
1:10



Detail A
1:10



INDICATIVE SECTIONAL VIEW



Keylite Product Code	KYL-FR01	KYL-FR03	KYL-FR04	KYL-FR06	KYL-FR07	KYL-FR09
A x B	550x960	550x1160	600x960	600x1160	700x960	700x1160
Frame external dimensions (mm)	530x940	530x1140	580x940	580x1140	680x940	680x1140
Number of rungs	4	4	4	4	4	4
C (mm)	1025	1145	1025	1145	1025	1145
R (mm)	1300	1605	1300	1605	1300	1605
H (mm)	2800	3200	2800	3200	2800	3200

www.keylitteroofwindows.com
E-Mail: info@keylite.co.uk
Tel: 028 8975 9821 Fax: 028 8975 9823
Keylite Roof Windows
County Tyrone, Northern Ireland BT69 3LU.

This drawing is for informational/demonstrative purposes only and is not intended to constitute a basis for performance. All dimensions are given in millimetres. Read construction notes to be kept with current building regulations. Keylite Roof Windows is not responsible for the installation quality on the job. Documentation only for personal use. Copying and selling without permission is prohibited.

Loft Ladder
KYL-FR

Opening pool

DWG No.
KYL-FR
Rev. A, 2018

Scale
1:10
1:20

Format
A3