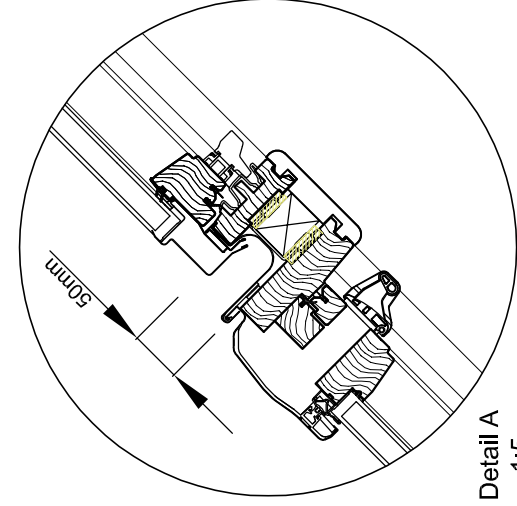
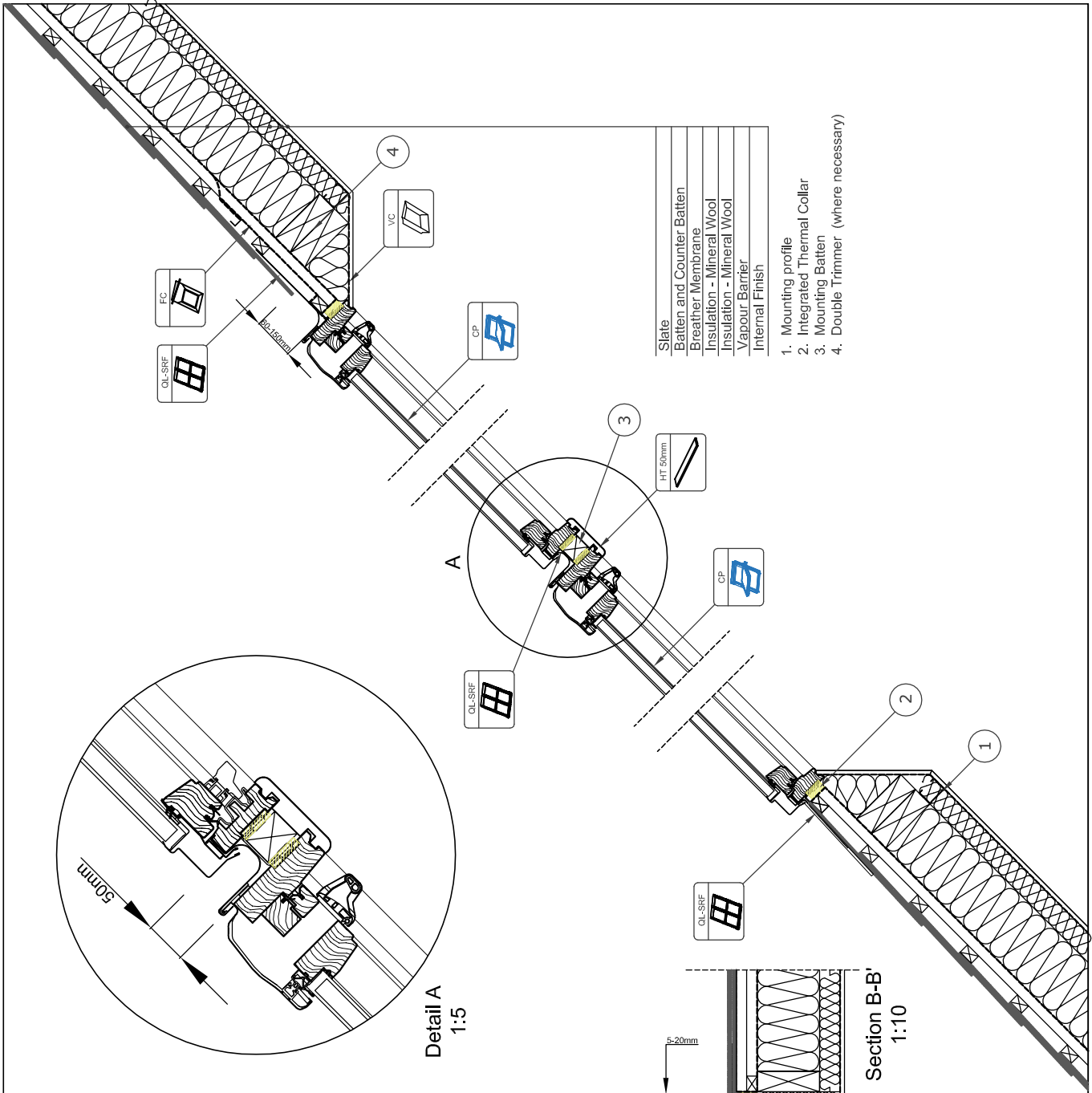


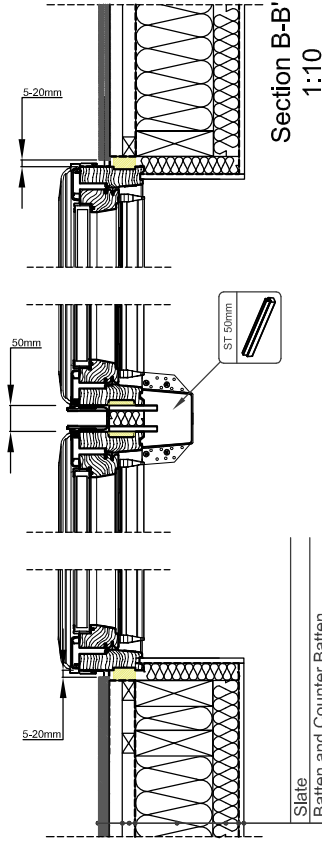
INDICATIVE SECTIONAL VIEW



Detail A
1:5



Section A-A'
1:10



Section B-B'
1:10

- Slate
- Batten and Counter Batten
- Breather Membrane
- Insulation - Mineral Wool
- Vapour Barrier
- Internal Finish

1. Mounting profile
2. Integrated Thermal Collar
3. Mounting Batten
4. Double Trimmer (where necessary)

- Slate
- Batten and Counter Batten
- Ventilation Path
- Breather Membrane
- Insulation - Mineral Wool
- Vapour Barrier
- Internal Finish

www.keylitemindows.com E-Mail: info@keylite.co.uk Tel: 028 8675 8921 Fax: 028 8675 8923 Keylite Roof Windows, Northern Ireland BT80 8LL, Hookstown, County Tyrone, Northern Ireland BT80 8LL.	Roofing Style	Window	Flashing	Felt Collar	Vapour Collar	Support Trim	Horizontal Trim	Angle	DWG No.	Scale	Format
	Box Flat	CP	OL-SRF	FC	VC	ST 50mm	HT 50mm	15°-90°	CP-OL-SRF	1:5 1:10	A3



This drawing is for informational/demonstrative purposes only and is not intended to be used as a basis for performance or site. All dimensions and details are subject to change without notice. Roof construction needs to be tight with current building regulations. Keylite is not responsible for the insulation quality or the ventilation performance of any product. Copying and using any product without permission is prohibited.