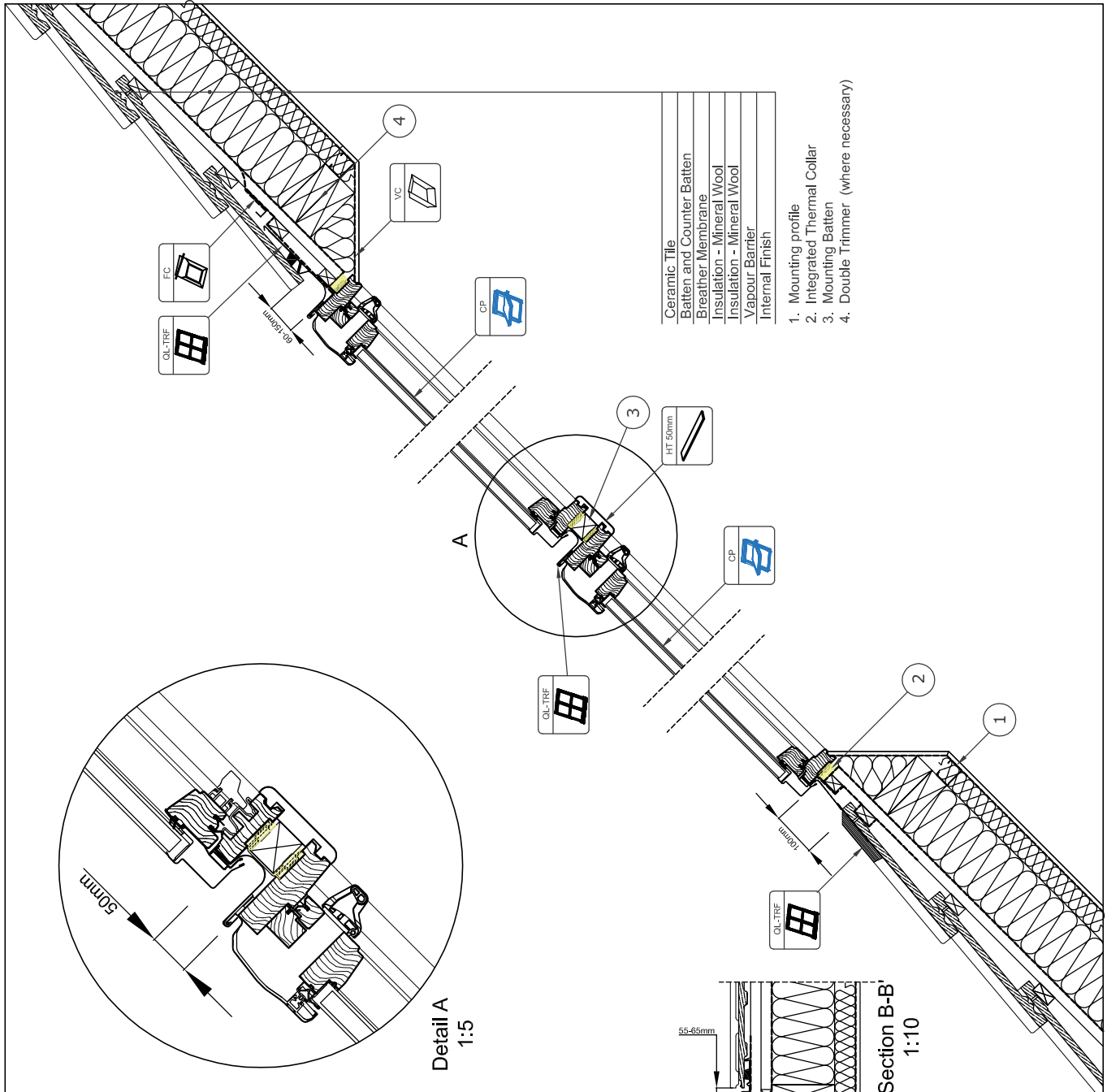
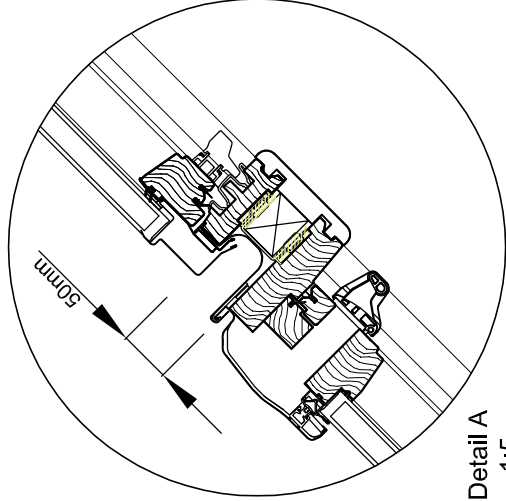
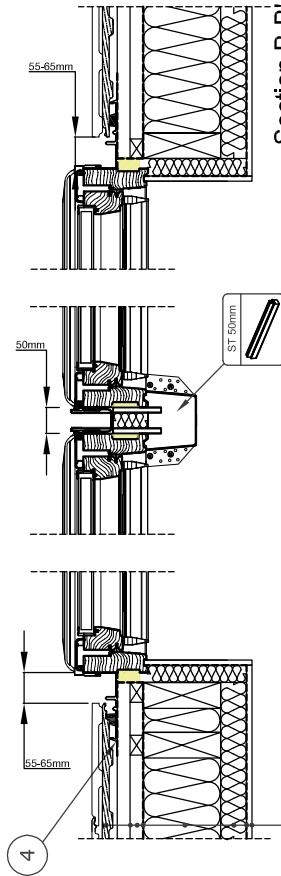


Detail A
1:5



- Ceramic Tile
- Batten and Counter Batten
- Breather Membrane
- Insulation - Mineral Wool
- Insulation - Mineral Wool
- Vapour Barrier
- Internal Finish

1. Mounting profile
2. Integrated Thermal Collar
3. Mounting Batten
4. Double Trimmer (where necessary)



- Ceramic Tile
- Batten and Counter Batten
- Ventilation Path
- Breather Membrane
- Insulation - Mineral Wool
- Insulation - Mineral Wool
- Vapour Barrier
- Internal Finish

4. Side Flashing Holding Piece

www.keylitewindows.com E-Mail: info@keylite.co.uk Tel: 028 9675 8921 Fax: 028 9675 8923 Keylite Roof Windows (UK) Ltd, Brookstown, County Tyrone, Northern Ireland BT80 8LL		The drawing is for informational/demonstrative purposes only and is not a contract. All dimensions are based on performance. Roof construction needs to be tight with current building regulations. Keylite is not responsible for any fire or other quality or performance issues. Documented for copyright and building regulation purposes only.	Roofing Style 	Window 	Flashing 	Felt Collar 	Vapour Collar 	Support Trim 	Horizontal Trim 	Angle 	DWG No. CP-QL-TRF-2 Rev. A 2018	Scale 1:5 1:10	Format A3
---	--	---	-------------------	------------	--------------	-----------------	-------------------	------------------	---------------------	-----------	---------------------------------------	----------------------	--------------