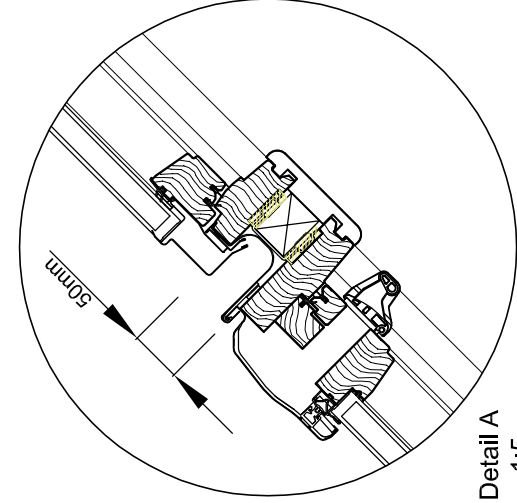
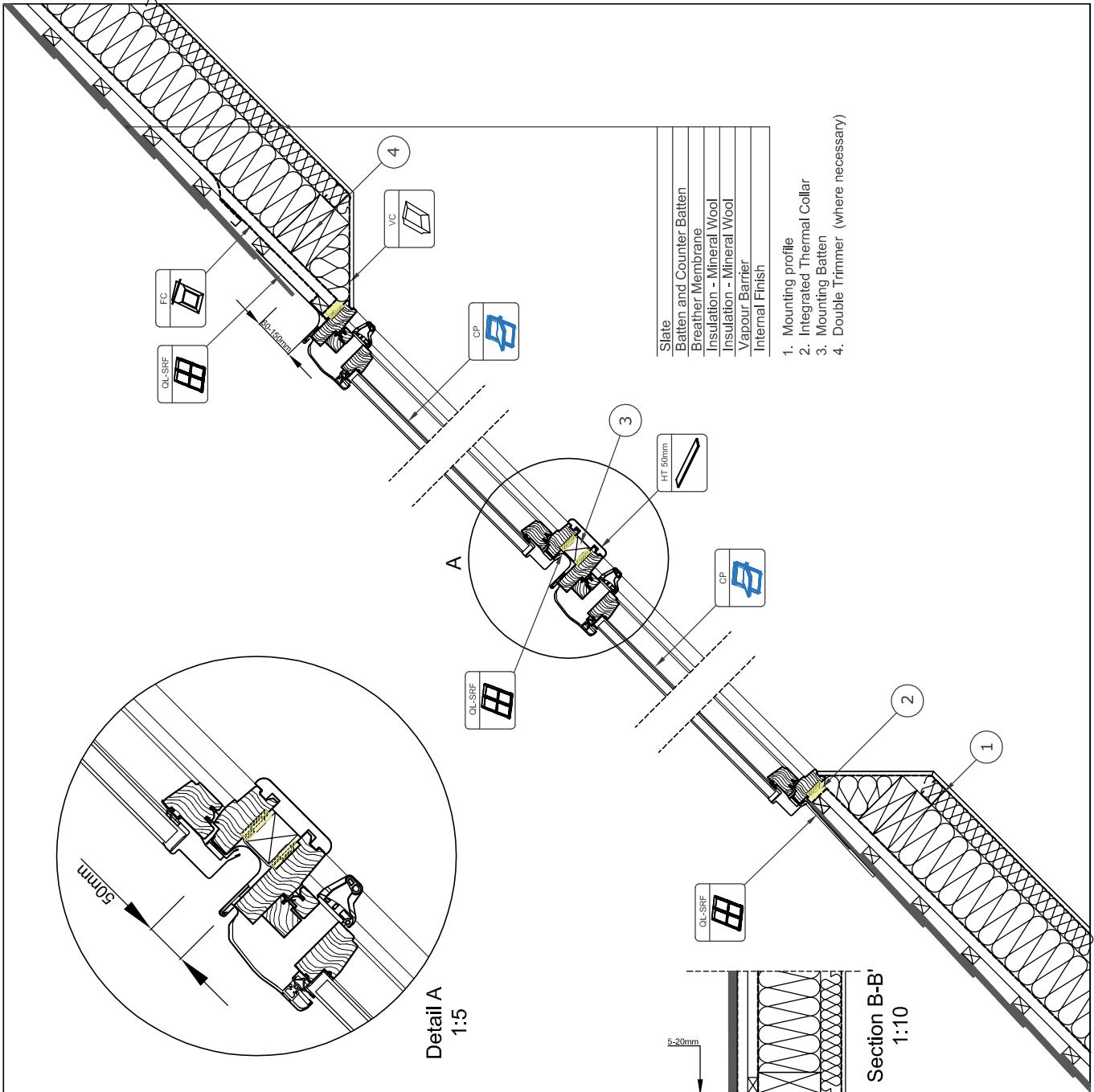


INDICATIVE SECTIONAL VIEW

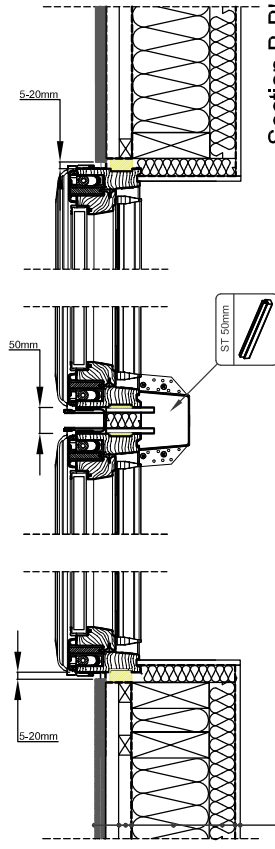


Detail A
1:5



- Slate
- Batten and Counter Batten
- Breather Membrane
- Insulation - Mineral Wool
- Insulation - Mineral Wool
- Vapour Barrier
- Internal Finish

1. Mounting profile
2. Integrated Thermal Collar
3. Mounting Batten
4. Double Trimmer (where necessary)



- Slate
- Batten and Counter Batten
- Ventilation Path
- Breather Membrane
- Insulation - Mineral Wool
- Insulation - Mineral Wool
- Vapour Barrier
- Internal Finish

Section A-A'
1:10

Section B-B'
1:10

www.keyliterate.com E-Mail: info@keyliterate.co.uk Tel: 028 8675 8921 Fax: 028 8675 8923 Keylite Roof Windows, Northern Ireland BT69 8LL		This drawing is for informational/demonstrative purposes only and is not intended to be used as a basis for performance or site. Roof construction needs to be tight with current building regulations. Keylite is not responsible for the insulation quality or the installation. Documentation only for product data. Copying and sharing without permission is prohibited.		Roofing Style	Window	Flashing	Felt Collar	Vapour Collar	Support Trim	Horizontal Trim	Angle	DWG No.	Scale	Format
													FE/TH-QL-SRF	1:5 1:10