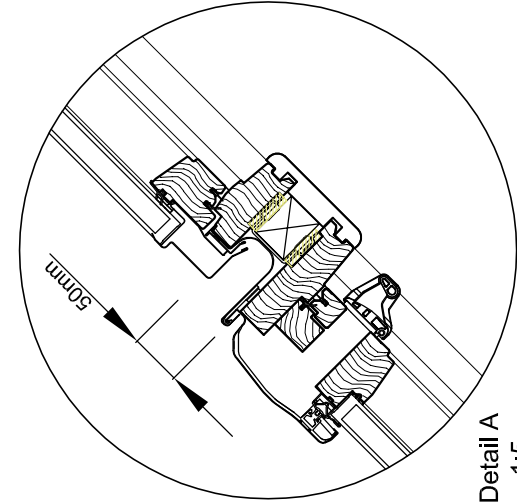
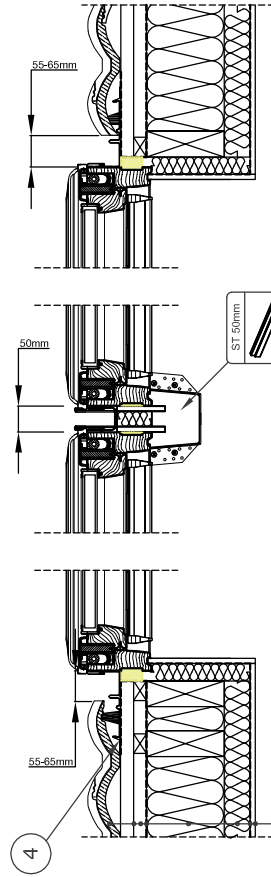
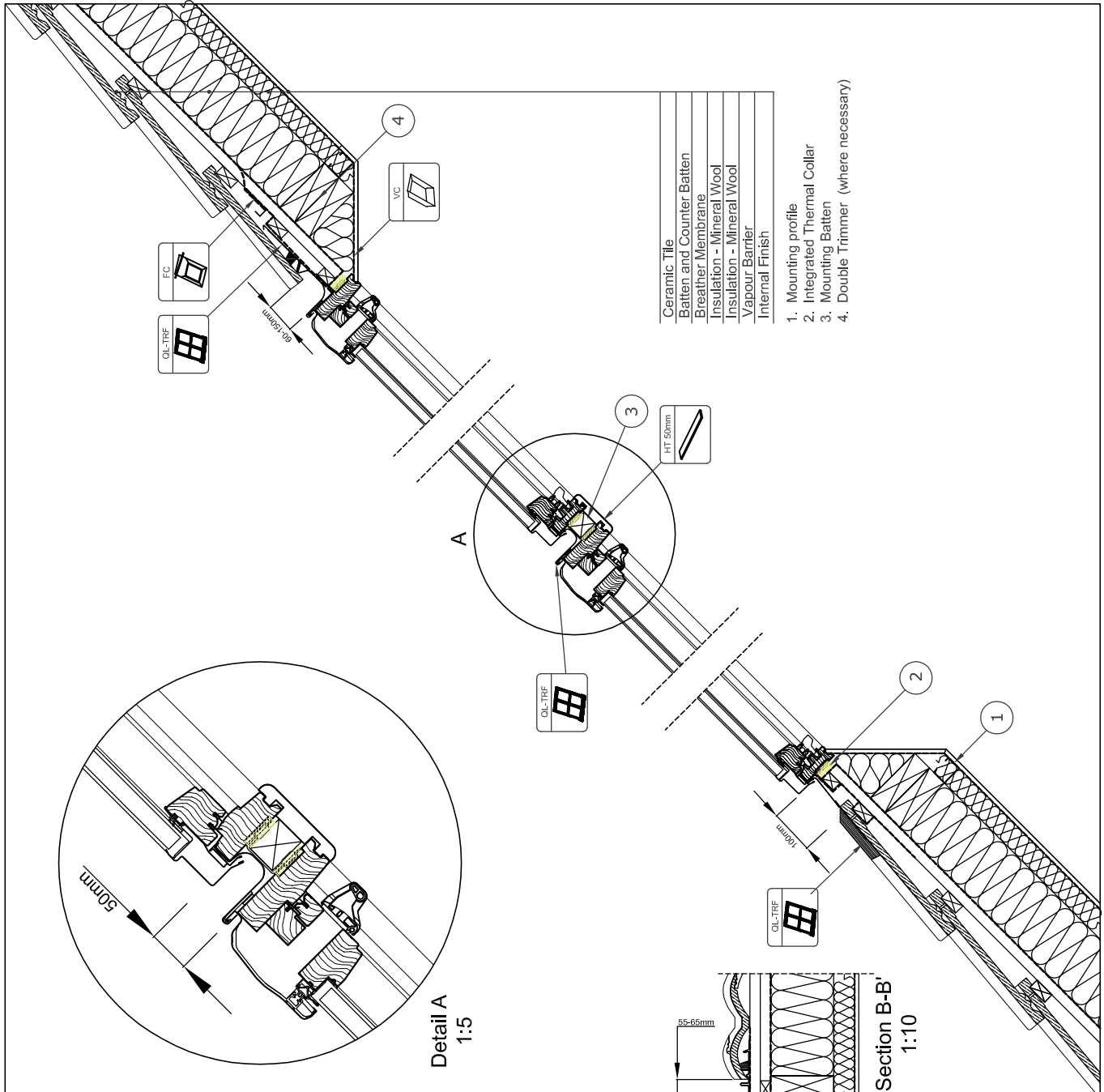


INDICATIVE SECTIONAL VIEW



Detail A
1:5



Section B-B'
1:10

- Ceramic Tile
- Batten and Counter Batten
- Ventilation Path
- Breather Membrane
- Insulation - Mineral Wool
- Insulation - Mineral Wool
- Vapour Barrier
- Internal Finish

4. Side Flashing Holding Piece

www.keylitewindows.com E-Mail: info@keylite.co.uk Tel: 028 8675 8921 Fax: 028 8675 8923 Keylite Roof Windows, Northern Ireland BT80 8LL										DWG No.	Scale	Format
										FE/TH-QLTRF-	1:5 1:10	A3
<small>This drawing is for informational/demonstrative purposes only and is not intended to be used as a basis for performance. All roof construction needs to be tight with current building regulations. Keylite is not responsible for any fire or other quality or performance issues. Documentation only for product data. Copying and using without permission is prohibited.</small>												

