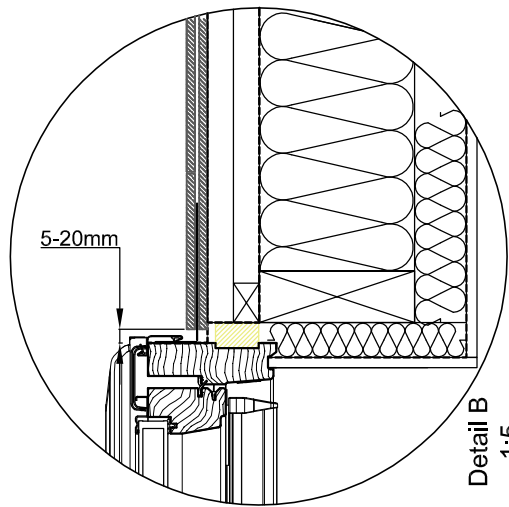


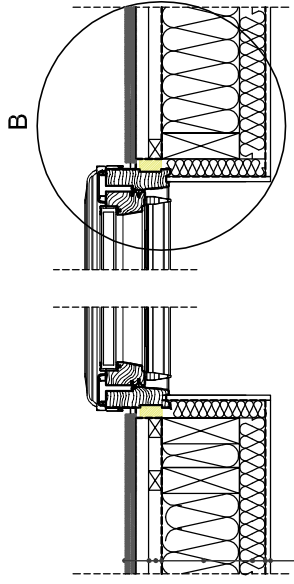
INDICATIVE SECTIONAL VIEW

RG-SRF Flashing
Internal Finish
Vapour Barrier
Insulation - Mineral Wool
Insulation - Mineral Wool
Breather Membrane
Batten and Counter Batten
Slate

1. Mounting profile
2. Integrated Thermal Collar
3. Ridge Tile
4. Ridge Purlin

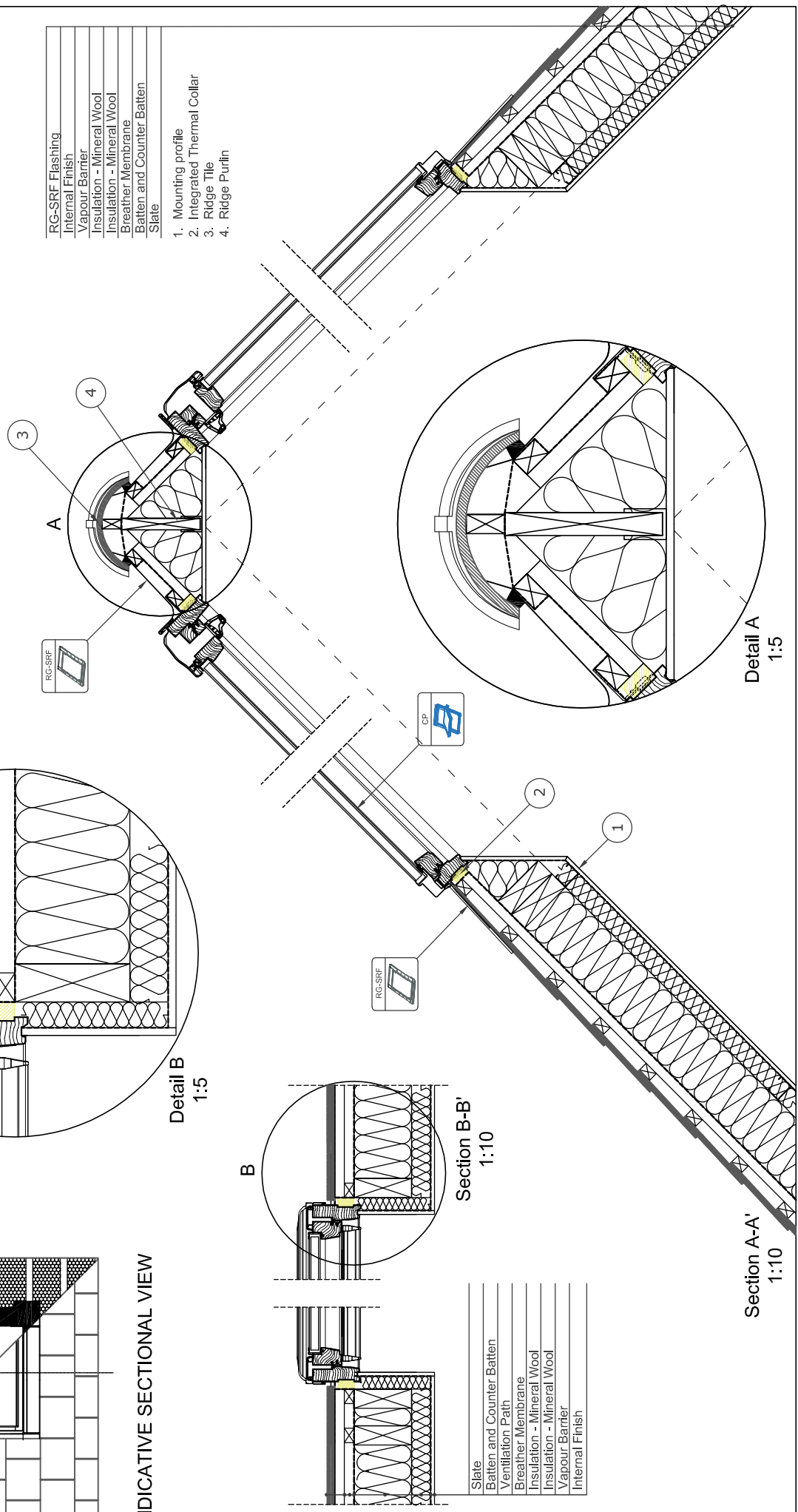


Detail B  
1:5

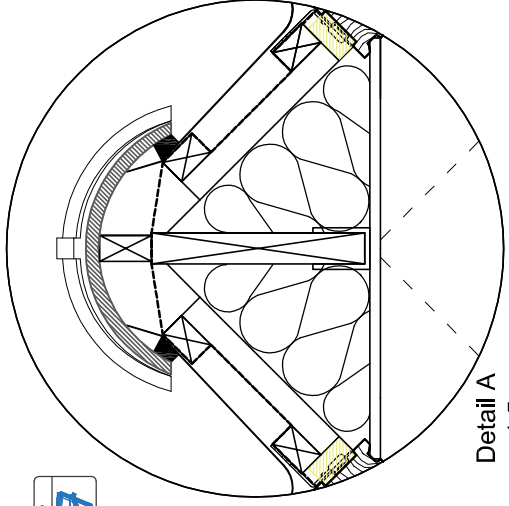


Section B-B'  
1:10

Slate
Batten and Counter Batten
Ventilation Path
Breather Membrane
Insulation - Mineral Wool
Insulation - Mineral Wool
Vapour Barrier
Internal Finish



Section A-A'  
1:10



Detail A  
1:5

	<a href="http://www.keyliteofwindows.com">www.keyliteofwindows.com</a> E-Mail: <a href="mailto:info@keylite.co.uk">info@keylite.co.uk</a> Tel: 028 8675 8921 Fax: 028 8675 8923 Keylite Roof Windows Ltd, Cookstown, County Tyrone, Northern Ireland BT80 8LU.	<p>This drawing is for information and illustrative purposes only and as such cannot constitute a basis for performance. All relevant building regulations must be followed. Roof constructions needs to be sign with current building regulations. Keylite is not responsible for any installation quality on the roof. Documentation only for product use. Copying and printing without permission is prohibited.</p>	Roofing Style	Window	Flashing	Felt Collar	Vapour Collar	Angle	DWG No.	Scale	Format
											CP-RG-SRF