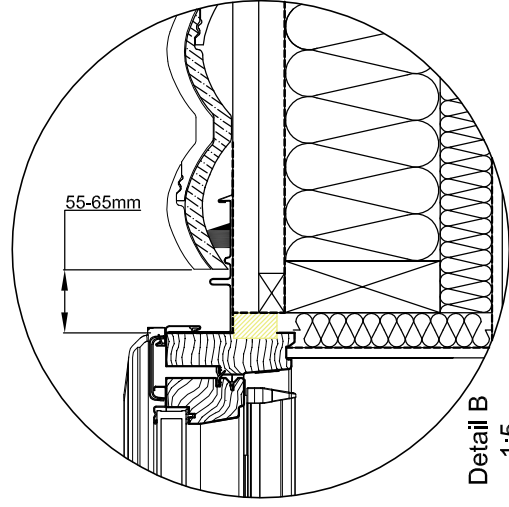


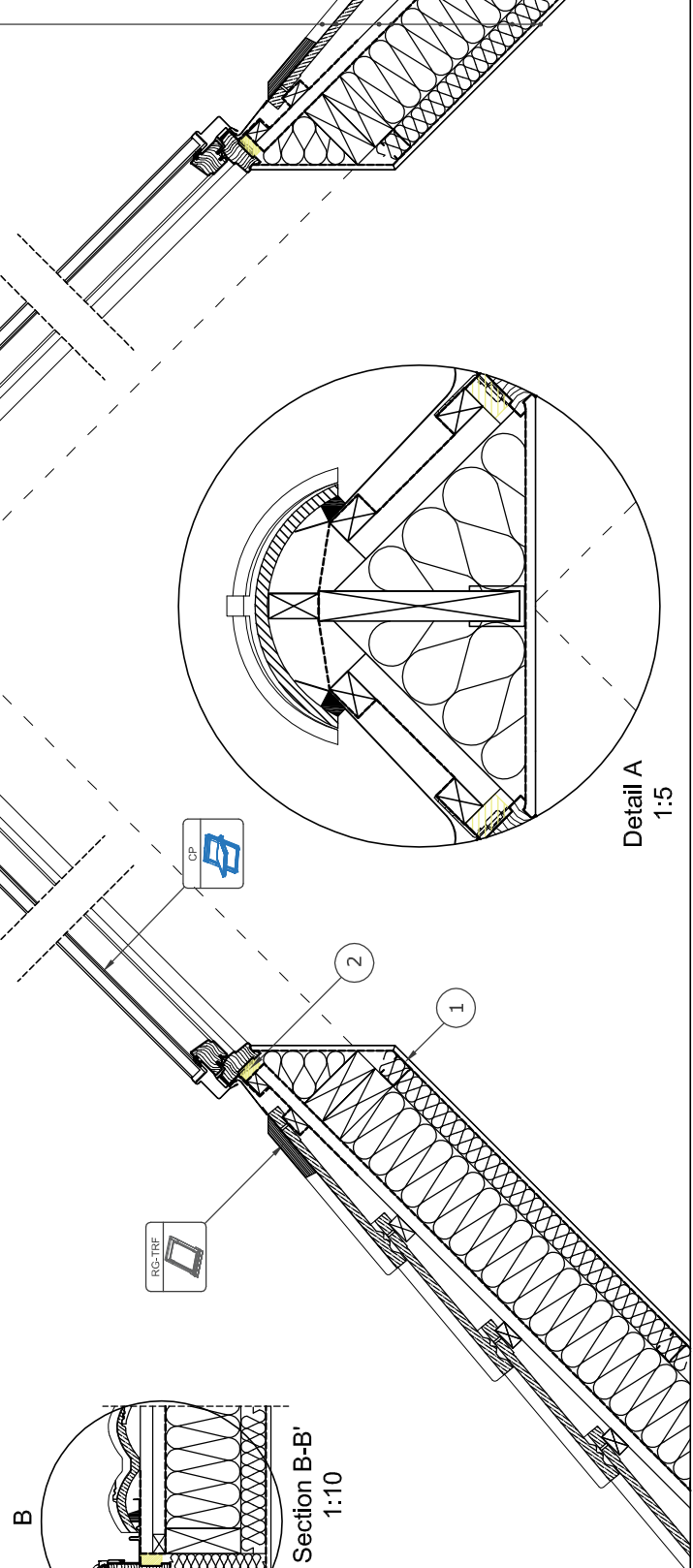
INDICATIVE SECTIONAL VIEW

- RG-TRF Flashing
- Internal Finish
- Vapour Barrier
- Insulation - Mineral Wool
- Insulation - Mineral Wool
- Breather Membrane
- Counter Batten
- Ceramic Tile

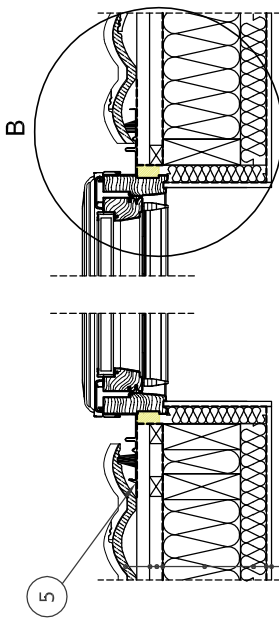
1. Mounting profile
2. Integrated Thermal Collar
3. Ridge Tile
4. Ridge Purlin



Detail B
1:5



Detail A
1:5



Section B-B'
1:10

- Ceramic Tile
- Batten and Counter Batten
- Ventilation Path
- Breather Membrane
- Insulation - Mineral Wool
- Insulation - Mineral Wool
- Vapour Barrier
- Internal Finish

5. Side Flashing Holding Piece

Section A-A'
1:10

	Roofing Style	Window	Flashing	Felt Collar	Vapour Collar	Angle	DWG No.	Scale	Format
							CP-RG-TRF-1	1:5 1:10	A3
<p>This drawing is for information and illustrative purposes only and as such cannot constitute a basis for performance. All rights reserved. Roof construction needs to be in line with current building regulations. Keylite is not responsible for any installation quality on the roof. Documentation only. If printed, use. Copying and printing without permission is prohibited.</p>									
<p>www.keyliteofwindows.com E-Mail: info@keylite.co.uk Tel: 028 8675 8921 Fax: 028 8675 8923 Keylite Roof Windows Ltd, Cookstown, County Tyrone, Northern Ireland BT80 3UL.</p>									

