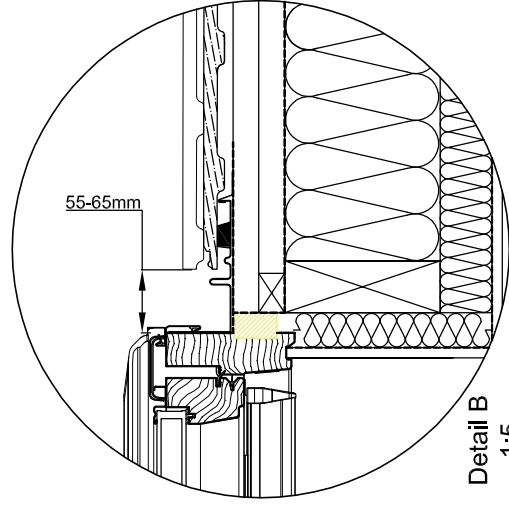


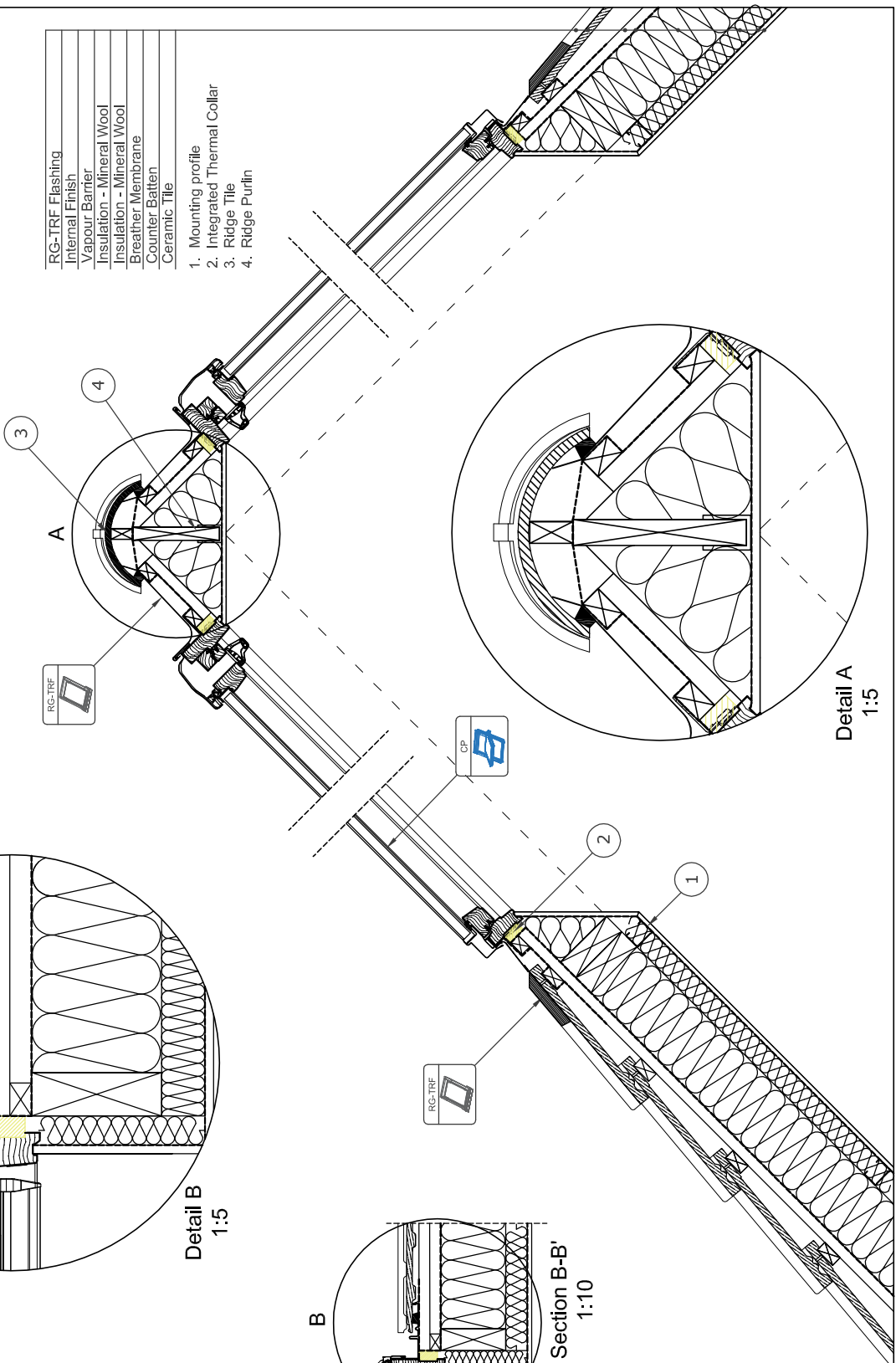
INDICATIVE SECTIONAL VIEW

- RG-TRF Flashing
- Internal Finish
- Vapour Barrier
- Insulation - Mineral Wool
- Insulation - Mineral Wool
- Breather Membrane
- Counter Batten
- Ceramic Tile

1. Mounting profile
2. Integrated Thermal Collar
3. Ridge Tile
4. Ridge Purlin

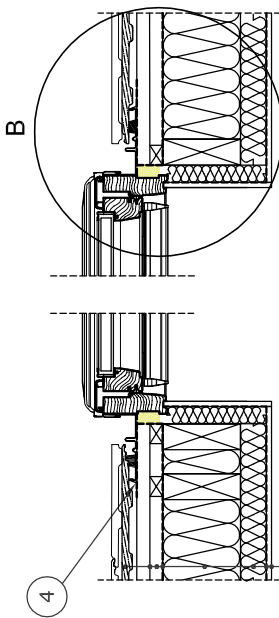


Detail B
1:5



Detail A
1:5

Section A-A'
1:10



Section B-B'
1:10

- Ceramic Tile
- Batten and Counter Batten
- Ventilation Path
- Breather Membrane
- Insulation - Mineral Wool
- Insulation - Mineral Wool
- Vapour Barrier
- Internal Finish

4. Side Flashing Holding Piece

	www.keyliteofwindows.com E-Mail: info@keylite.co.uk Tel: 028 8675 8921 Fax: 028 8675 8923 Keylite Roof Windows Ltd, Cookstown, County Tyrone, Northern Ireland BT80 3LL.		<p>This drawing is for information and illustrative purposes only and as such cannot constitute a basis for performance. All roof constructions must be in line with current building regulations. Keylite is not responsible for any installation quality on the roof. Documentation only. Copying and using without permission is prohibited.</p>				Roofing Style 	Window 	Flashing 	Felt Collar 	Vapour Collar 	Angle 	DWG No. CP-RG-TRF-2 Rev. A 2018	Scale 1:5 1:10	Format A3
--	--	--	---	--	--	--	-------------------	------------	--------------	-----------------	-------------------	-----------	---------------------------------------	----------------------	--------------