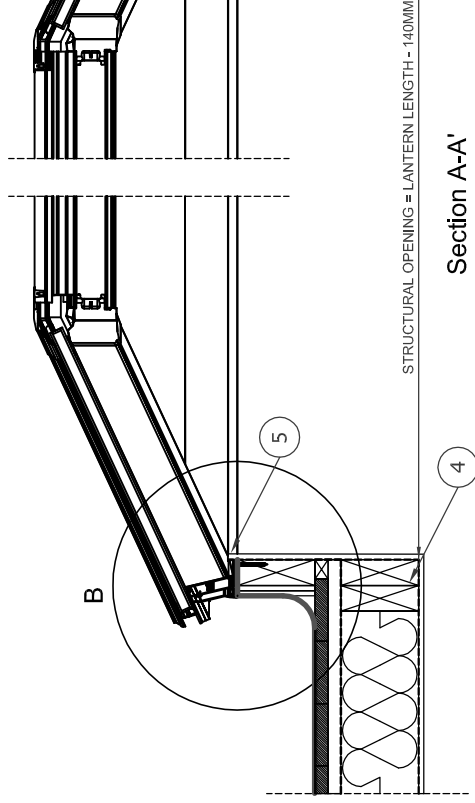


**Detail B**  
1:5

1. All in One Glazing Retainer
2. Thermally Broken Eaves Beam

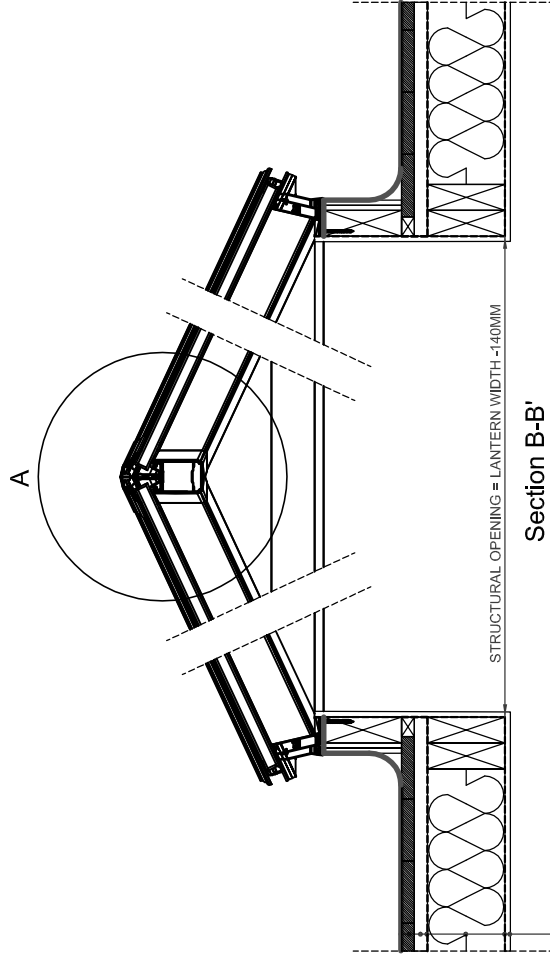


**Section A-A'**  
1:10

STRUCTURAL OPENING = LANTERN LENGTH - 140MM

Trocal
Wooden Boarding
Counter Batten/Ventilation Path
Breather Membrane
Insulation - Mineral Wool
Vapour Barrier
Internal Finish

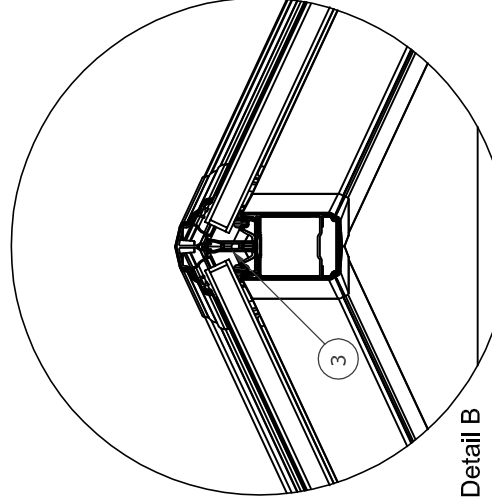
4. Double Trimmer (where necessary)
5. Edge Bead (Supplied by others)



**Section B-B'**  
1:10

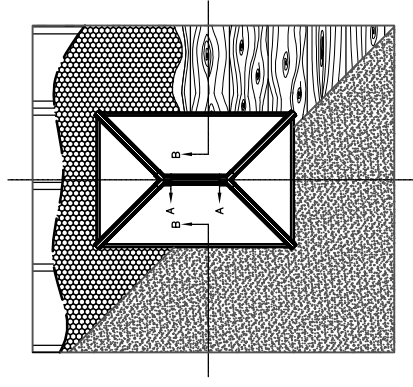
STRUCTURAL OPENING = LANTERN WIDTH - 140MM

Trocal
Wooden Boarding
Counter Batten/Ventilation Path
Breather Membrane
Insulation - Mineral Wool
Vapour Barrier
Internal Finish



**Detail B**  
1:5

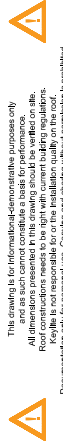
3. Thermal PVC T-Bar



**INDICATIVE SECTIONAL VIEW**



www.keyliterate.com  
E-Mail: info@keylite.co.uk  
Tel: 028 8975 8921 Fax: 028 8975 8923  
Keylite Roof Windows Ltd, Cookstown,  
County Tyrone, Northern Ireland BT80 8LU.



This drawing is for informational/demonstrative purposes only.  
All dimensions presented in this drawing should be verified on site.  
Point connections need to be tight with current building regulations.  
This drawing is not intended for use in any jurisdiction where it is not permitted.  
Documentation only for personal use. Copying and sharing without permission is prohibited.

Roofing Style	Trocal
Frame Type	
Size Range (LxW)	1500 x 1000mm 2000 x 1000mm 2000 x 1500mm 2300 x 1500mm
Angle	 0°-5°
DWG No.	FRL Rev. A, 2018
Scale	1:5 1:10
Format	A3