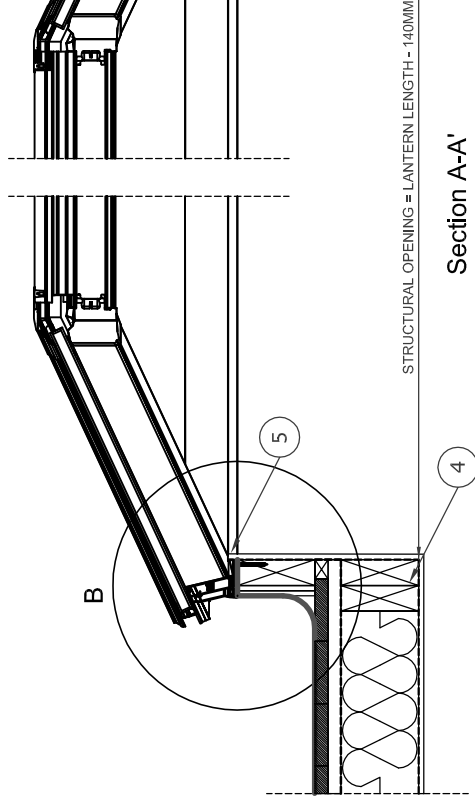


Detail B
1:5

1. All In One Glazing Retainer
2. Thermally Broken Eaves Beam

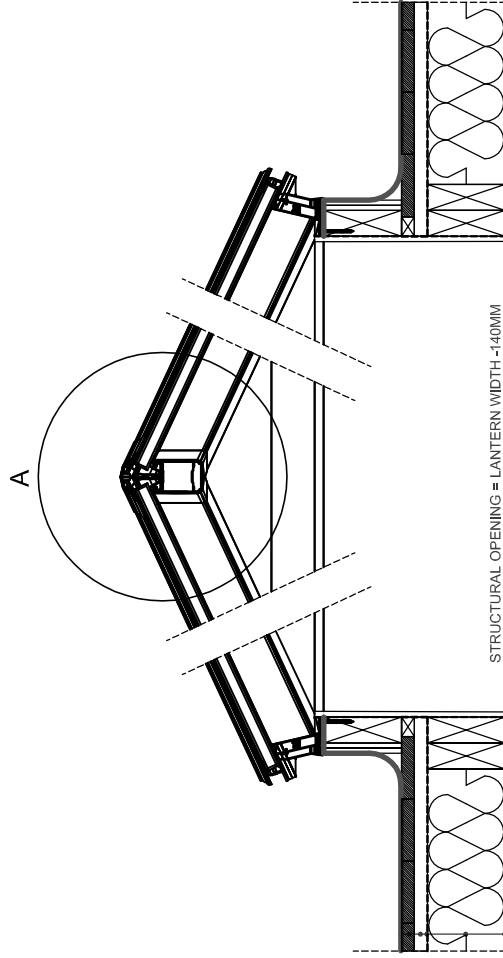


Section A-A'
1:10

STRUCTURAL OPENING = LANTERN LENGTH - 140MM

Trocal
Wooden Boarding
Counter Batten/Ventilation Path
Breather Membrane
Insulation - Mineral Wool
Vapour Barrier
Internal Finish

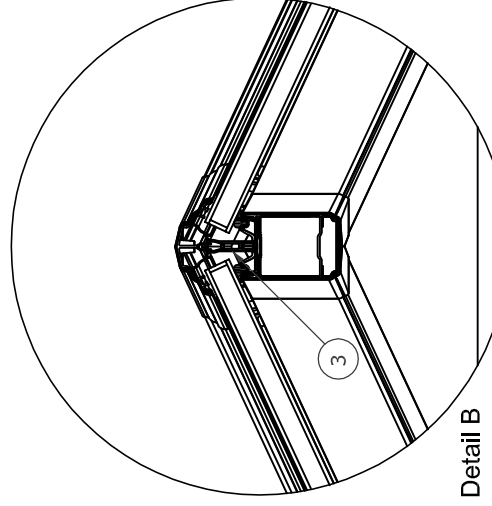
4. Double Trimmer (where necessary)
5. Edge Bead (Supplied by others)



Section B-B'
1:10

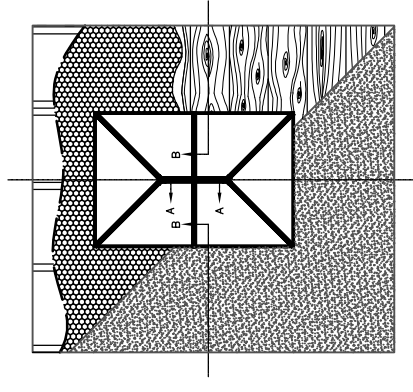
STRUCTURAL OPENING = LANTERN WIDTH - 140MM

Trocal
Wooden Boarding
Counter Batten/Ventilation Path
Breather Membrane
Insulation - Mineral Wool
Vapour Barrier
Internal Finish



Detail B
1:5

3. Thermal PVC T-Bar



INDICATIVE SECTIONAL VIEW