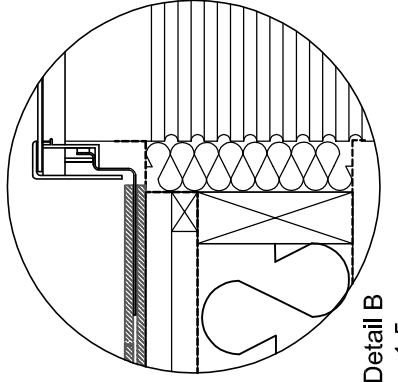
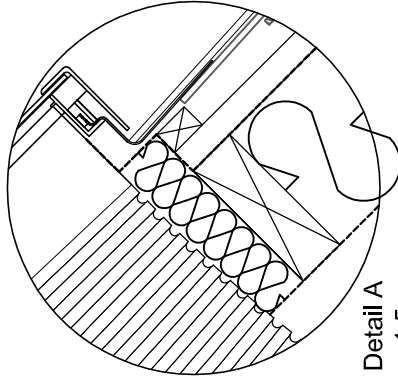


- Slate
- Batten and Counter Batten
- Breather Membrane
- Insulation - Mineral Wool
- Vapour Barrier

SUNLITE DIMENSIONS	
Dimension / Detail	B
Width Of Opening In Roof (mm ²)	400 Ø
Width Of Opening In Ceiling (mm)	500 Ø
Sun Lite	350mm Ø
450mm Ø	530
530mm Ø	610
	580 Ø

- Insulation - Mineral Wool
- Internal Finish
- 1. Ceiling Joist
- 2. Jack Joist



Section A-A'
1:10

Section B-B'
1:10

Roofing Style	Window	Angle	DWG No.	Scale	Format
SLF	SLF	15°-60°	SLF-SRF	1:5 1:10	A3
			Rev. A, 2018		

This drawing is for information/representative purposes only.
All dimensions presented in this drawing should be verified on site.
Roof construction needs to be in line with current building regulations.
Documentation only for personal use. Copies and sharing without permission is prohibited.

www.keyliteratewindows.com
E-Mail: info@keyliterate.co.uk
Tel: 028 8675 8921 Fax: 028 8675 8922
Keylite Roof Windows, Cookstown,
County Tyrone, Northern Ireland BT80 9LU.



INDICATIVE SECTIONAL VIEW