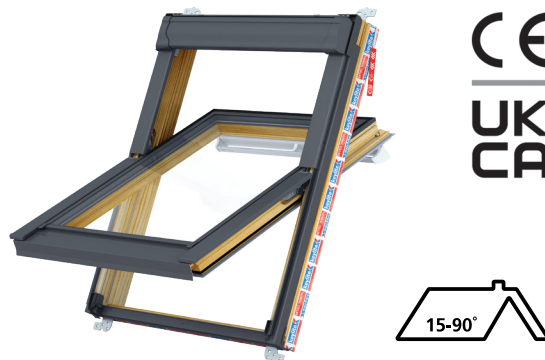


# Centre Pivot Roof Window

Keylite's most versatile window, suitable for single or multiple applications in any roof with a pitch of 15°-90°



## Features

- ▶ **Flick-Fit Brackets** - Keylite's unique Flick-Fit brackets are prefitted so you can lift the window straight from the box to the roof and simply select the setting for tile or slate.
- ▶ **Sash Finger Springs** - The sash hinge finger spring allows the sash to be installed back into the frame in one smooth effortless motion.
- ▶ **Recessed Fit as Standard** - Every Keylite Roof Window is recessed as standard, sitting lower in the roof than ever before.
- ▶ **Integrated Thermal Collar** - Unlike other roof windows, Keylite's thermal collar is integrated into the frame.  
  
The collar is activated by simply pulling the release tabs for a fast insulation solution, combating cold bridging.
- ▶ **New Profile Hood** - Keylite's new hood features a more sculptured design, enhancing its appearance in the roof.
- ▶ **Click-Fit Hood** - Simply click the hood under the hood hooks and secure into position by clicking the hood in at each end. The cover flashings now require 50% fewer screws than before.
- ▶ **Warm Edge Glazing** - Every Keylite Roof Window now has a warm edge glazing unit as standard, to enhance the windows performance and reduce the occurrence of condensation.
- ▶ **All Weather Ventilation** - Keylite Roof Windows all provide trickle ventilation, even with the window fully closed and securely locked. The built in ventilation filter ensures no insects pass into the room, only clean fresh air.
- ▶ **Ventilation handle** - Keylite's slimline ventilation handle has a new contemporary style, designed to provide comfortable opening of both the window and the ventilation flap.
- ▶ **Thermal Insulation** - Keylite have engineered thermal blocks of insulation into the roof window to further enhance its performance and combat against cold bridging.

## Application

- ▶ Keylite recommend installing the window so that the frame top is between 1.85-2.20m above the floor for ease of operation.
- ▶ For installation of roof windows above 2.2m Keylite also recommend electrical operation and a laminated inner safety pane.

## Operation

- ▶ The Keylite centre pivot roof window is operated manually as standard, through the full width use of our ventilation handle.
- ▶ Electric operation is also available as an additional accessory.

## Guarantee

- ▶ **10 Years** - Keylite's hassle free guarantee on windows and flashings.
- ▶ **3 Years** - Keylite's hassle free guarantee on blinds, accessories and electrics.

## Finish Options

- ▶ **Interior** - Pine (T)  
White (W)
- ▶ **Exterior** - Grey  
Conservation Black (CW)

## Installation and Accessory Products

- ▶ **Flashings**
  - Single Installation:
    - Tile (TRF)
    - Deep Tile (DTRF)
    - Slate (SRF)
    - Plain Tile (PTRF)
    - Corrugated Roof (CRF)
  - Combination Installation:
    - Combi Tile (CTRF)
    - Combi Slate (CSRf)
    - Combi Plain Tile (CPTRF)
    - Bi-Lite Tile (BLTRF)
    - Bi-Lite Slate (BLSRF)
    - Quad Lite Tile (QLTRF)
    - Quad Lite Slate (QLSRF)
- ▶ **Additional Installation Products** -
  - Underfelt Collar (FC)
  - Vapour Collar (VC)
- ▶ **Accessories** -
  - 2 metre window pole (WP2)
  - 3 metre window pole (WP3)
  - Solar Powered electric kit (KCS)
  - Premium electric kit (PEK)
  - Standard electric kit (SEK)
  - Opening restrictor (OR)
  - Security lock (SL)
- ▶ **Blinds** -
  - Integral Blind (I)
  - Dim out Blind (D)
  - Black out Blind (B)





Window Sizes (WxH)	550x780	550x980	550x1180	660x1180	780x980	780x1180	780x1400	940x1400	940x1600	1140x1180	1340x980	1340x1400
<b>Pine Finish</b>												
<b>Hi Therm</b> Product Code	TCP 01 HT	TCP 02 HT	TCP 01C HT	TCP 03 HT	TCP 04 HT	TCP 05 HT	TCP 06 HT	TCP 07F HT	TCP 07 HT	TCP 08 HT	TCP 09 HT	TCP 10 HT
<b>Triple Glazed</b> Product Code	TCP 01 KTG	TCP 02 KTG	TCP 01C KTG	TCP 03 KTG	TCP 04 KTG	TCP 05 KTG	TCP 06 KTG	TCP 07F KTG	TCP 07 KTG	TCP 08 KTG	TCP 09 KTG	TCP 10 KTG
<b>White Finish</b>												

Note: To order White Finish please add the prefix "W" to the code ie. WCP 04 HT.

### Thermal Performance

		Hi Therm [HT]	Triple [KTG]	Integral [I]	Frosted [T-FR]
<b>Window U value</b>	U <sub>w</sub> [W/m²K]	1.3	1.0	1.4	1.3
<b>Centre pane U value</b>	U <sub>g</sub> [W/m²K]	1.0	0.6	1.1	1.0

### PSI Values

	W/m²K*
<b>Roof Window Head</b>	0.060
<b>Roof Window Jamb</b>	0.052
<b>Roof Window Sill</b>	0.059

\* Based on a target Roof U-Value of 0.16 W/m².K

### Glazing

**Hi-Therm (HT)** - Double glazed, toughened outer pane, argon gas filled cavity, laminated inner pane with enhanced noise reduction.

**Triple Glazed (KTG)** - Triple glazed, toughened outer pane, krypton gas filled cavity, float centre pane, krypton gas filled cavity, laminated inner pane with enhanced thermal insulation.

**Integral (I)** - Double glazed, toughened outer pane, argon gas filled cavity with integral blind, laminated inner pane.

**Frosted (FR)** - Double glazed, toughened outer pane, argon gas filled cavity, frosted float inner pane.

**Note:** Self-cleaning glass available upon request. For further information, please contact the Keylite technical team.

### Maintenance

▶ The glazing pane of a Keylite Centre Pivot Roof Window can be cleaned with a soft, clean cloth/chamois or non-metal squeegee. Clean water will be sufficient for cleaning the pane.

▶ The sash can be rotated through 180° where the outer pane can become available for cleaning once locked in position using the plastic locking mechanism located along the top of the sash.

### Glazing Option

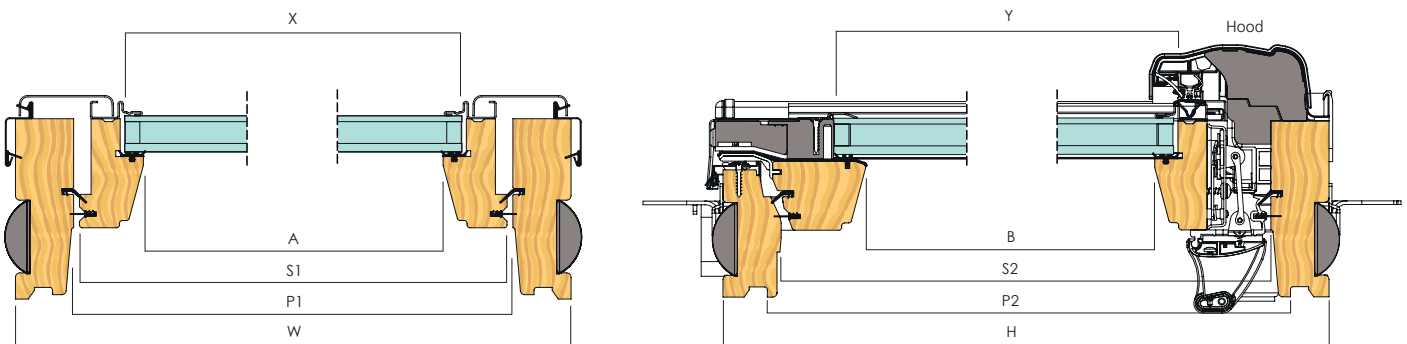
Glazing Option - Results			Hi Therm [HT]	Triple [KTG]	Integral [I]	Frosted [FR]
UV	Transmittance	$\tau_{uv}$	0.02	0.01	0.02	0.02
Light	Transmittance for standard illuminant D65	$\tau_v$	0.76	0.64	0.76	0.76
	Reflectance for standard illuminant D65 (*)	$\rho_v$	0.15	0.21	0.17	0.15
	Reflectance for standard illuminant D65 (**)	$\rho_v$	0.17	0.23	0.15	0.17
	General colour rendering index	Ra	0.97	0.95	0.97	0.97
Energy	Solar direct transmittance	$\tau_e$	0.44	0.33	0.44	0.44
	Solar direct reflectance (*)	$\rho_e$	0.35	0.41	0.36	0.35
	Solar direct absorption (*)	a	0.21	0.27	0.20	0.21
	Total solar energy transmittance (Solar Factor) EN410 (*)	g	0.54	0.44	0.49	0.54
	Shading coefficient (+g_DIN/0.87)(*)	sc	0.62	0.51	0.57	0.62
	Thermal conductance (U-Value W/M²K)	U <sub>g</sub>	1.0	0.6	1.1	1.0
Sound	Sound transmittance	dB	36	32	32	36

(\*) Incident Radiation from the outside    (\*\*) Incident Radiation from the inside

## Technical Information

Window Type	Window Size	External Frame Size		Sash Size		Glazing Size		Visible Glazing Size		Internal Reveal Size		Natural Daylight Area (m <sup>2</sup> )	Equivalent Ventilation Area (mm <sup>2</sup> )	Structural Opening Size Required	
		(mm)		(mm)		(mm)		(mm)		(mm)				(mm)	
		W	H	S1	S2	X	Y	A	B	P1	P2			W	H
TCP	01	550	780	460	690	396	593	370	558	496	720	0.206	3,337	590	820
TCP	02	550	980	460	890	396	793	370	758	496	920	0.280	3,337	590	1020
TCP	01C	550	1180	460	1090	396	993	370	958	496	1120	0.354	3,337	590	1220
TCP	03	660	1180	570	1090	506	993	480	958	606	1120	0.460	4,005	700	1220
TCP	04	780	980	690	890	626	793	600	758	726	920	0.455	4,733	820	1020
TCP	05	780	1180	690	1090	626	993	600	958	726	1120	0.575	4,733	820	1220
TCP	06	780	1400	690	1310	626	1213	600	1178	726	1340	0.707	4,733	820	1440
TCP	07F	940	1400	850	1310	786	1213	760	1178	886	1340	0.895	5,704	980	1440
TCP	07	940	1600	850	1510	786	1413	760	1378	886	1540	1.047	5,704	980	1640
TCP	08	1140	1180	1050	1090	986	993	960	958	1086	1120	0.920	6,917	1180	1220
TCP	09	1340	980	1250	890	1186	793	1160	758	1286	920	0.879	8,131	1380	1020
TCP	10	1340	1400	1250	1310	1186	1213	1160	1178	1286	1340	1.366	8,131	1380	1440
TCP	01F	550	1400	460	1310	396	1213	370	1178	496	1340	0.436	3,337	590	1440
TCP	01G	550	1600	460	1510	396	1413	370	1378	496	1540	0.510	3,337	590	1640
TCP	03A	660	780	570	690	506	593	480	558	606	720	0.268	4,005	700	820
TCP	03B	660	980	570	890	506	793	480	758	606	920	0.364	4,005	700	1020
TCP	03F	660	1400	570	1310	506	1213	480	1178	606	1340	0.565	4,005	700	1440
TCP	03G	660	1600	570	1510	506	1413	480	1378	606	1540	0.661	4,005	700	1640
TCP	04A	780	780	690	690	626	593	600	558	726	720	0.335	4,733	820	820
TCP	04G	780	1600	690	1510	626	1413	600	1378	726	1540	0.827	4,733	820	1640
TCP	07A	940	780	850	690	786	593	760	558	886	720	0.424	5,704	980	820
TCP	07B	940	980	850	890	786	793	760	758	886	920	0.576	5,704	980	1020
TCP	07C	940	1180	850	1090	786	993	760	958	886	1120	0.728	5,704	980	1220
TCP	08A	1140	780	1050	690	986	593	960	558	1086	720	0.536	6,917	1180	820
TCP	08B	1140	980	1050	890	986	793	960	758	1086	920	0.728	6,917	1180	1020
TCP	08F	1140	1400	1050	1310	986	1213	960	1178	1086	1340	1.131	6,917	1180	1440
TCP	08G	1140	1600	1050	1510	986	1413	960	1378	1086	1540	1.323	6,917	1180	1640
TCP	09A	1340	780	1250	690	1186	593	1160	558	1286	720	0.647	8,131	1380	820
TCP	09C	1340	1180	1250	1090	1186	993	1160	958	1286	1120	1.111	8,131	1380	1220
TCP	09G	1340	1600	1250	1510	1186	1413	1160	1378	1286	1540	1.598	8,131	1380	1640

## Cross Section



### GB

Unit 3 Gateway Road, Burton Gateway,  
Burton upon Trent, DE13 8FL

T: +44 (0) 28 8676 7512  
E: Technicalsupport@keylite.co.uk

### NI & ROI

KG2, Ballyreagh Industrial Est. Sandholes  
Road, Cookstown, Co. Tyrone, BT80 9DG