

Fixed Skylight

A higher level of security is provided by the Keylite Fixed Skylight since it complies with Part Q of the Building Regulations.



Features

- ▶ **Additional Security** - The Keylite Fixed Skylight was designed in such a way to ensure it be compliant with Part Q of the Building Regulations. It has been fully tested and certified by the BBA, providing extra security and peace of mind to the occupants of the building.
- ▶ **Safety Glazing** - Keylite's Fixed Skylight comes with high performing safety glass that is equipped with a Toughened outer glazing pane, Argon gas filled cavity and a laminated inner glazing pane. Furthermore it features a Warm Edge glazing bar which not only enhances the windows overall performance but also assists in reducing the occurrence of condensation.
- ▶ **Low Pitch** - The Keylite Fixed Skylight is ideal for projects with low pitch roofs as it can be installed down to a pitch of 10°. This Fixed Skylight provides a watertight solution for the challenges normally encountered with installing a typical roof window at a low pitch.
- ▶ **Increased Glazing Area** - Thanks to the design of this new skylight, it now offers up to 44% more natural daylight into the building when compared to that of a conventional roof window. Increased natural daylight improves the mood and health of the occupants as well as removing the need for additional internal lighting.
- ▶ **Integrated Thermal Collar** - Unlike other roof windows, Keylite's thermal collar is integrated into the frame. The collar is activated by simply pulling the release tabs for a fast insulation solution, combating cold bridging.
- ▶ **Flick-Fit Brackets** - Keylite's unique Flick-Fit brackets are pre-fitted so you can lift the window straight from the box to the roof and simply select the setting for tile or slate.
- ▶ **Recessed Fit as Standard** - Keylite windows all come recessed as standard, sitting lower in the roof than ever before. No additional cost and improved thermal performance are just some of the benefits of this feature.

Application

- ▶ Keylite recommend installing the window so that the frame top is between 1.85-2.20m above the floor for ease of operation.

Maintenance

- ▶ The glazing pane of a Keylite Fixed Skylight can be cleaned with a soft, clean cloth/chamois or non-metal squeegee. Clean water will be sufficient for cleaning the pane.

Guarantee

- ▶ **10 Years** - Keylite's hassle free guarantee on windows and flashings
- ▶ **3 Years** - Keylite's hassle free guarantee on blinds and accessories.

Finish Options

- ▶ **Interior** - White
- ▶ **Exterior** - Grey

Installation and Accessory Products

▶ Flashings

- Single Installation:

- Tile (TRF)
- Deep Tile (DTRF)
- Slate (SRF)
- Plain Tile (PTRF)

- Combination Installation:

- 100mm Combi Tile (CTRF)
- 100mm Combi Slate (CSRF)
- 100mm Combi Plain Tile (CPTRF)
- Bi-Lite Tile (BLTRF)
- Bi-Lite Slate (BLSRF)
- Quad Lite Tile (QLTRF)
- Quad Lite Slate (QLSRF)



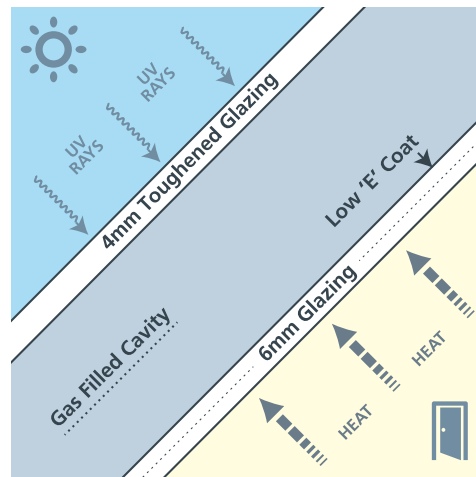
Window Sizes (WxH)	550x780	550x980	550x1180	660x1180	780x980	780x1180	780x1400	940x1400	940x1600	1140x1180	1340x980	1340x1400
	White Finish											
Keylite QFS Product Code	QFS 01 HT	QFS 02 HT	QFS 01C HT	QFS 03 HT	QFS 04 HT	QFS 05 HT	QFS 06 HT	QFS 07F HT	QFS 07 HT	QFS 08 HT	QFS 09 HT	QFS 10 HT

Thermal Performance

		Hi Therm [HT]
Window U value	U _w [W/m ² K]	1.4
Centre pane U value	U _g [W/m ² K]	1.1

Keylite QFS Glazing

- ▶ 4mm Toughened Outer Pane
- ▶ 15mm Argon Gas Filled Cavity
- ▶ 6mm Laminated Inner Safety Pane



Glazing Option

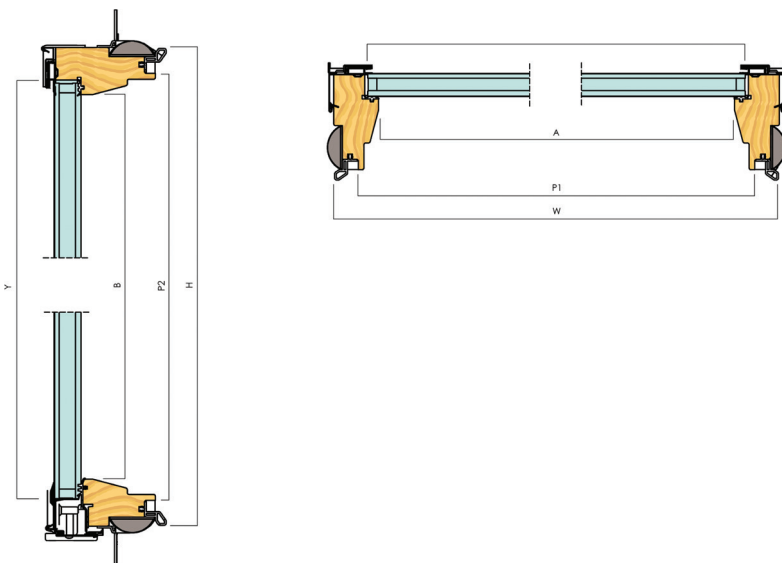
Glazing Option - Results			
UV	Transmittance	τ_{uv}	0.2
Light	Transmittance for standard illuminant D65	τ_v	0.76
	Reflectance for standard illuminant D65 (*)	ρ_v	0.15
	Reflectance for standard illuminant D65 (**)	ρ_v	0.17
	General colour rendering index	R _a	0.97
Energy	Solar direct transmittance	τ_e	0.44
	Solar direct reflectance (*)	ρ_e	0.35
	Solar direct absorption (*)	a	0.21
	Total solar energy transmittance (Solar Factor) EN410 (*)	g	0.54
	Shading coefficient (+g_DIN/0.87)(*)	sc	0.62
	Thermal Conductance (U-Value w/m ² k)	U _g	1.0
Sound	Sound Transmittance	dB	36

(*) Incident Radiation from the outside (**) Incident Radiation from the inside

Technical Information

Window Type	Window Size	External Frame Size		Glazing Size		Visible Glazing Size		Internal Reveal Size		Natural Daylight Area (m ²)	Structural Opening Size Required	
		(mm)		(mm)		(mm)		(mm)			(mm)	
		W	H	X	Y	A	B	P1	P2	W	H	
QFS	01	550	780	467	706	442	672	489	719	0.297	590	820
QFS	02	550	980	467	906	442	872	489	919	0.385	590	1020
QFS	01C	550	1180	467	1106	442	1072	489	1,119	0.474	590	1220
QFS	03	660	1180	577	1106	552	1072	599	1,119	0.592	700	1220
QFS	04	780	980	697	906	672	872	719	919	0.586	820	1020
QFS	05	780	1180	697	1106	672	1072	719	1,119	0.720	820	1220
QFS	06	780	1400	697	1326	672	1292	719	1,339	0.868	820	1440
QFS	07F	940	1400	857	1326	832	1292	879	1,339	1.075	980	1440
QFS	07	940	1600	857	1526	832	1492	879	1,539	1.241	980	1640
QFS	08	1140	1180	1057	1106	1032	1072	1,079	1,119	1.106	1180	1220
QFS	09	1340	980	1257	906	1232	872	1,279	919	1.074	1380	1020
QFS	10	1340	1400	1257	1326	1232	1292	1,279	1,339	1.592	1380	1440
QFS	01F	550	1400	467	1326	442	1292	489	1,339	0.571	590	1440
QFS	01G	550	1600	467	1526	442	1492	489	1,539	0.659	590	1640
QFS	03A	660	780	577	706	552	672	599	719	0.371	700	820
QFS	03B	660	980	577	906	552	872	599	919	0.481	700	1020
QFS	03F	660	1400	577	1326	552	1292	599	1,339	0.713	700	1440
QFS	03G	660	1600	577	1526	552	1492	599	1,539	0.824	700	1640
QFS	04A	780	780	697	706	672	672	719	719	0.452	820	820
QFS	04G	780	1600	697	1526	672	1492	719	1,539	1.003	820	1640
QFS	07A	940	780	857	706	832	672	879	719	0.559	980	820
QFS	07B	940	980	857	906	832	872	879	919	0.726	980	1020
QFS	07C	940	1180	857	1106	832	1072	879	1,119	0.892	980	1220
QFS	08A	1140	780	1057	706	1032	672	1,079	719	0.694	1180	820
QFS	08B	1140	980	1057	906	1032	872	1,079	919	0.900	1180	1020
QFS	08F	1140	1400	1057	1326	1032	1292	1,079	1,339	1.333	1180	1440
QFS	08G	1140	1600	1057	1526	1032	1492	1,079	1,539	1.540	1180	1640
QFS	09A	1340	780	1257	706	1232	672	1,279	719	0.828	1380	820
QFS	09C	1340	1180	1257	1106	1232	1072	1,279	1,119	1.321	1380	1220
QFS	09G	1340	1600	1257	1526	1232	1492	1,279	1,539	1.838	1380	1640

Cross Section


GB

 Unit 3 Gateway Road, Burton Gateway,
Burton upon Trent, DE13 8FL

NI & ROI

 KG2, Ballyreagh Industrial Est. Sandholes
Road, Cookstown, Co. Tyrone, BT80 9DG

 T: +44 (0) 28 8676 7512
E: technicalsupport@keylite.co.uk