

White Painted Roof Window

The Keylite White Painted Roof Window range is considered ideal for kitchens, bathrooms or any other room that may be prone to smoke, dust or steam.



Features

- ▶ **Bright White** - Keylite's White Painted range blends in perfectly with white ceilings to maximise the use of natural light within the room.
- ▶ **Flick-Fit Brackets** - Keylite's unique Flick-Fit brackets are pre-fitted so you can lift the window straight from the box to the roof and simply select the setting for tile or slate.
- ▶ **Sash Finger Springs** - The sash hinge finger spring allows the sash to be installed back into the frame in one smooth effortless motion.
- ▶ **Recessed Fit as Standard** - Every Keylite Roof Window is recessed as standard, sitting lower in the roof than ever before.
- ▶ **Integrated Thermal Collar** - Unlike other roof windows, Keylite's thermal collar is integrated into the frame.

The collar is activated by simply pulling the release tabs for a fast insulation solution, combating cold bridging.
- ▶ **New Profile Hood** - Keylite's new hood features a more sculptured design, enhancing its appearance in the roof.
- ▶ **Click-Fit Hood** - Simply click the hood under the hood hooks and secure into position by clicking the hood in at each end. The cover flashings now require 50% fewer screws than before.
- ▶ **Warm Edge Glazing** - Every Keylite Roof Window now has a warm edge glazing unit as standard, to enhance the windows performance and reduce the occurrence of condensation.
- ▶ **All Weather Ventilation** - Keylite Roof Windows all provide trickle ventilation, even with the window fully closed and securely locked. The built in ventilation filter ensures no insects pass into the room, only clean fresh air.
- ▶ **Ventilation handle** - Keylite's slimline ventilation handle has a new contemporary style, designed to provide comfortable opening of both the window and the ventilation flap.
- ▶ **Thermal Insulation** - Keylite have engineered thermal blocks of insulation into the roof window to further enhance its performance and combat against cold bridging.

Application

- ▶ Keylite recommend installing the window so that the frame top is between 1.85 - 2.20m above the floor for ease of operation.
- ▶ For installation of roof windows above 2.2m Keylite also recommend electrical operation and a laminated inner safety pane.

Operation

- ▶ **WCP** - The Keylite White Painted Centre Pivot Roof Window is operated manually as standard, through the full width use of our ventilation handle, located along the top of the sash. Electric operation is also available as an additional accessory.
- ▶ **WTH/WFE** - The Keylite White Painted Top Hung/ Fire Escape roof window is operated manually as standard, through rotating the handle, located along the bottom of the sash. The Keylite Top Hung/Fire Escape Roof Window retains its ventilation flap and centre pivoting hinge for cleaning purposes.

Guarantee

- ▶ **10 Years** - Keylite's hassle free guarantee on windows and flashings.
- ▶ **3 Years** - Keylite's hassle free guarantee on blinds, accessories and electrics.

Installation and Accessory Products

- ▶ **Flashings**
 - Single Installation:
 - Tile (TRF)
 - Deep Tile (DTRF)
 - Slate (SRF)
 - Plain Tile (PTRF)
 - Combination Installation:
 - Combi Tile (CTRF)
 - Combi Slate (CSRF)
 - Combi Plain Tile (CPTRF)
 - Bi-Lite Tile (BLTRF)
 - Bi-Lite Slate (BLSRF)
 - Quad Lite Tile (QLTRF)
 - Quad Lite Slate (QLSRF)
- ▶ **Additional Installation Products** -
 - Underfelt Collar (FC)
 - Vapour Collar (VC)
- ▶ **Accessories** -
 - 2 metre window pole (WP2)
 - 3 metre window pole (WP3)
 - Solar Powered electric kit (KCS)*
 - Premium electric kit (PEK)*
 - Standard electric kit (SEK)*
 - Opening restrictor (OR)
 - Security lock (SL)
- ▶ **Blinds** -
 - Integral Blind (I)
 - Dim out Blind (D)
 - Black out Blind (B)

*Available on CP windows ONLY





Window Sizes (WxH)	550x780	550x980	550x1180	660x1180	780x980	780x1180	780x1400	940x1400	940x1600	1140x1180	1340x980	1340x1400
	Centre Pivot											
Hi Therm Product Code	WCP 01 HT	WCP 02 HT	WCP 01C HT	WCP 03 HT	WCP 04 HT	WCP 05 HT	WCP 06 HT	WCP 07F HT	WCP 07 HT	WCP 08 HT	WCP 09 HT	WCP 10 HT
Triple Glazed Product Code	WCP 01 KTG	WCP 02 KTG	WCP 01C KTG	WCP 03 KTG	WCP 04 KTG	WCP 05 KTG	WCP 06 KTG	WCP 07F KTG	WCP 07 KTG	WCP 08 KTG	WCP 09 KTG	-
	Top Hung		Fire Escape									
Hi Therm Product Code	-	WTH 02 HT	WFE 01C HT	WFE 03 HT	WFE 04 HT	WFE 05 HT	WFE 06 HT	WFE 07F HT	WFE 07 HT	WFE 08 HT	WFE 09 HT	WFE 10 HT

Note: Due to the opening size of an 02 roof window it must not be used as a means of escape.
Other sizes are available, please contact the Keylite Sales Team for details of full range.

Thermal Performance

		Hi Therm [HT]	Triple [KTG]	Integral [I]	Frosted [T-FR]
Window U value	U _w [W/m²K]	1.3	1.0	1.4	1.3
Centre pane U value	U _g [W/m²K]	1.0	0.6	1.1	1.0
Top Hung/Fire Escape U value	U _w [W/m²K]	1.4	1.1	1.4	1.4

Glazing

Hi-Therm (HT) - Double glazed, toughened outer pane, argon gas filled cavity, laminated inner pane with enhanced noise reduction.

Triple Glazed (KTG) - Triple glazed, toughened outer pane, krypton gas filled cavity, float centre pane, krypton gas filled cavity, laminated inner pane with enhanced thermal insulation.

Note: Self-cleaning glass available upon request. For further information, please contact the Keylite technical team.

Integral (I) - Double glazed, toughened outer pane, argon gas filled cavity with integral blind, laminated inner pane.

Frosted (FR) - Double glazed, toughened outer pane, argon gas filled cavity, frosted float inner pane.

Maintenance

► The glazing pane of a Keylite Centre Pivot Roof Window can be cleaned with a soft, clean cloth/chamois or non-metal squeegee. Clean water will be sufficient for cleaning the pane.

► The sash can be rotated through 180° where the outer pane can become available for cleaning once locked in position using the plastic locking mechanism located along the top of the sash.

Glazing Option

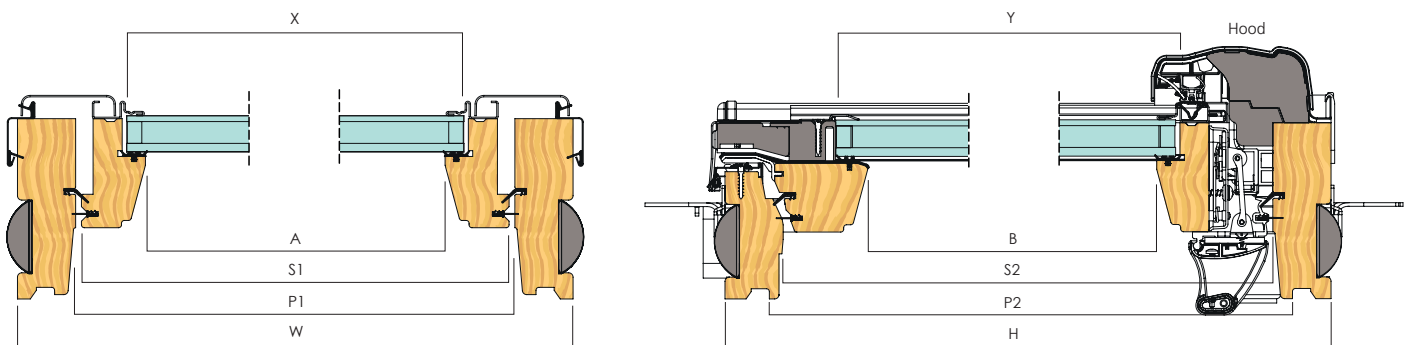
Glazing Option - Results			Hi Therm [HT]	Triple [KTG]	Integral [I]	Frosted [FR]
UV	Transmittance	τ_{uv}	0.02	0.01	0.02	0.02
Light	Transmittance for standard illuminant D65	τ_v	0.76	0.64	0.76	0.76
	Reflectance for standard illuminant D65 (*)	ρ_v	0.15	0.21	0.17	0.15
	Reflectance for standard illuminant D65 (**)	ρ_v	0.17	0.23	0.15	0.17
	General colour rendering index	R _a	0.97	0.95	0.97	0.97
Energy	Solar direct transmittance	τ_e	0.44	0.33	0.44	0.44
	Solar direct reflectance (*)	ρ_e	0.35	0.41	0.36	0.35
	Solar direct absorption (*)	a	0.21	0.27	0.20	0.21
	Total solar energy transmittance (Solar Factor) EN410 (*)	g	0.54	0.44	0.49	0.54
	Shading coefficient (+g_DIN/0.87)(*)	sc	0.62	0.51	0.57	0.62
	Thermal conductance (U-Value W/M²K)	U _g	1.0	0.6	1.1	1.0
Sound	Sound transmittance	dB	36	32	32	36

(*) Incident Radiation from the outside (**) Incident Radiation from the inside

Technical Information

Window Type	Window Size	External Frame Size		Sash Size		Glazing Size		Visible Glazing Size		Internal Reveal Size		Natural Daylight Area (m ²)	Equivalent Ventilation Area (mm ²)	Structural Opening Size Required	
		(mm)		(mm)		(mm)		(mm)		(mm)				W	H
		W	H	S1	S2	X	Y	A	B	P1	P2				
WCP	01	550	780	460	690	396	593	370	558	496	720	0.206	3,337	590	820
WCP/WTH*	02	550	980	460	890	396	793	370	758	496	920	0.280	3,337	590	1020
WCP/WFE	01C	550	1180	460	1090	396	993	370	958	496	1120	0.354	3,337	590	1220
WCP/WFE	03	660	1180	570	1090	506	993	480	958	606	1120	0.460	4,005	700	1220
WCP/WFE	04	780	980	690	890	626	793	600	758	726	920	0.455	4,733	820	1020
WCP/WFE	05	780	1180	690	1090	626	993	600	958	726	1120	0.575	4,733	820	1220
WCP/WFE	06	780	1400	690	1310	626	1213	600	1178	726	1340	0.707	4,733	820	1440
WCP/WFE	07F	940	1400	850	1310	786	1213	760	1178	886	1340	0.895	5,704	980	1440
WCP/WFE	07	940	1600	850	1510	786	1413	760	1378	886	1540	1.047	5,704	980	1640
WCP/WFE	08	1140	1180	1050	1090	986	993	960	958	1086	1120	0.920	6,917	1180	1220
WCP/WFE	09	1340	980	1250	890	1186	793	1160	758	1286	920	0.879	8,131	1380	1020
WCP/WFE	10	1340	1400	1250	1310	1186	1213	1160	1178	1286	1340	1.366	8,131	1380	1440
WCP/WFE	01F	550	1400	460	1310	396	1213	370	1178	496	1340	0.436	3,337	590	1440
WCP/WFE	01G	550	1600	460	1510	396	1413	370	1378	496	1540	0.510	3,337	590	1640
WCP	03A	660	780	570	690	506	593	480	558	606	720	0.268	4,005	700	820
WCP/WTH*	03B	660	980	570	890	506	793	480	758	606	920	0.364	4,005	700	1020
WCP/WFE	03F	660	1400	570	1310	506	1213	480	1178	606	1340	0.565	4,005	700	1440
WCP/WFE	03G	660	1600	570	1510	506	1413	480	1378	606	1540	0.661	4,005	700	1640
WCP	04A	780	780	690	690	626	593	600	558	726	720	0.335	4,733	820	820
WCP/WFE	04G	780	1600	690	1510	626	1413	600	1378	726	1540	0.827	4,733	820	1640
WCP	07A	940	780	850	690	786	593	760	558	886	720	0.424	5,704	980	820
WCP/WFE	07B	940	980	850	890	786	793	760	758	886	920	0.576	5,704	980	1020
WCP/WFE	07C	940	1180	850	1090	786	993	760	958	886	1120	0.728	5,704	980	1220
WCP	08A	1140	780	1050	690	986	593	960	558	1086	720	0.536	6,917	1180	820
WCP/WFE	08B	1140	980	1050	890	986	793	960	758	1086	920	0.728	6,917	1180	1020
WCP/WFE	08F	1140	1400	1050	1310	986	1213	960	1178	1086	1340	1.131	6,917	1180	1440
WCP/WFE	08G	1140	1600	1050	1510	986	1413	960	1378	1086	1540	1.323	6,917	1180	1640
WCP	09A	1340	780	1250	690	1186	593	1160	558	1286	720	0.647	8,131	1380	820
WCP/WFE	09C	1340	1180	1250	1090	1186	993	1160	958	1286	1120	1.111	8,131	1380	1220
WCP/WFE	09G	1340	1600	1250	1510	1186	1413	1160	1378	1286	1540	1.598	8,131	1380	1640

*Note: Top Hung only, not a fire escape window

Cross Section

GB

Unit 3 Gateway Road, Burton Gateway,
Burton upon Trent, DE13 8FL

T: +44 (0) 28 8676 7512
E: technicalsupport@keylite.co.uk

NI & ROI

KG2, Ballyreagh Industrial Est. Sandholes
Road, Cookstown, Co. Tyrone, BT80 9DG