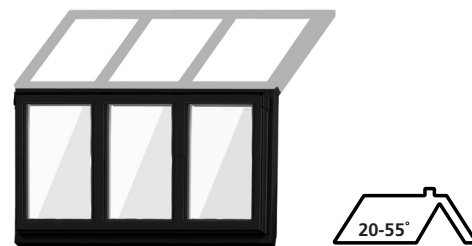


Vertical Bi-Lite Window Systems

The Keylite Vertical Bi-Lite is a vertical window combined with a Keylite Roof Window to produce an attractive glazing feature.



Features

- ▶ **Complete Kit** - Within the Keylite Vertical Bi-Lite System the following are included:
 - ▶ Vertical element and application of your choice.
 - ▶ All associated Vertical Bi-Lite flashings required.
 - ▶ Roof windows of your choice.
- ▶ **Operation** - The vertical element is opened with a handle at the top or side of the sash depending on the application required. The Roof Windows can be operated manually or alternatively with Keylite Electric Operation.
- ▶ **Appearance** - Seamless combination at eaves level due to Keylite's unique flashing.
- ▶ **Flexibility** - The Keylite Vertical Bi-Lite System is available throughout the entire Keylite Roof Window range. The Vertical element can be provide fixed shut, tilt only or tilt and turn depending on the application required.

Application

- ▶ Keylite recommend installing the window so that the top frame is between 1.85 - 2.20m above the floor for ease of operation.
- ▶ For installation of roof windows above 2.2m Keylite also recommend electrical operation and a laminated inner pane.

Maintenance

- ▶ The glazing pane of a Keylite Roof Window can be cleaned with a soft, clean cloth/ chamois or non-metal squeegee. Clean water will be sufficient for cleaning the pane.
- ▶ The sash can be rotated through 180° where the outer pane can become available for cleaning once locked in position using the plastic locking mechanism located along the top of the sash.

Finish Options

- ▶ **Interior** - Pine (T)
White (W)
- ▶ **Exterior** - Grey

Guarantee

- ▶ **10 Years** - Keylite's hassle free guarantee on windows and all associated flashings.
- ▶ **3 Years** - Keylite's hassle free guarantee on blinds, accessories and electrics.
- ▶ **U Value** - Thermal & Hi-Therm Glazing: 1.3 W/m²K, Triple Glazed: 1.0 W/m²K

Installation and Accessory Products

- ▶ **Accessories**
 - 2 metre window pole (WP2)
 - 3 metre window pole (WP3)
 - Premium electric kit (PEK)
 - Standard electric kit (SEK)
 - Opening restrictor (OR)
 - Security lock (SL)
- ▶ **Blinds**
 - Integral Blind (I)
 - Dim out Blind (D)
 - Black out Blind (B)

Vertical Bi-Lite Sizes and Dimensions

Length of Roof Window(s) (mm)	780, 980, 1180, 1400, 1600
Height of Vertical Window(s) (mm)	600, 950
Width of Vertical Bi-Lites (mm)	
Single	550, 660, 780, 940, 1140, 1340
Double	550, 660, 780, 940, 1140, 1340
Triple	550, 660, 780
Pitch	Min 20° - Max 55°

Tilt + Turn is only available on 950mm high vertical windows.

For VBL Systems outside of the above please contact Keylite Sales Team

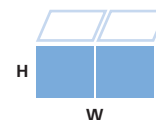


Single						
Nominal W x H (mm)	550mm wide	660mm wide	780mm wide	940mm wide	1140mm wide	1340mm wide
PINE FINISH						
H= 600mm Tilt Only	VBL 550x600 T	VBL 660x600 T	VBL 780x600 T	VBL 940x600 T	VBL 1140x600 T	VBL 1340x600 T
H = 950mm Tilt Only	VBL 550x950 T	VBL 660x950 T	VBL 780x950 T	VBL 940x950 T	VBL 1140x950 T	VBL 1340x950 T
H = 950mm Tilt/Turn	VBL 550x950 TT	VBL 660x950 TT	VBL 780x950 TT	VBL 940x950 TT	VBL 1140x950 TT	VBL 1340x950 TT
WHITE FINISH						
To order White Finish please insert the prefix 'WF' to the codes above i.e. WFVBL 780x950 TT etc.						



For VBL Systems outside of the above please contact Keylite Sales Team

Double						
Nominal W x H (mm)	1110mm wide	1330mm wide	1570mm wide	1890mm wide	2290mm wide	2690mm wide
PINE FINISH						
H= 600mm Tilt Only	VBL 550x600 T 2018	VBL 660x600 T 2018	VBL 780x600 T 2018	VBL 940x600 T 2018	VBL 1140x600 T 2018	VBL 1340x600 T 2018
H = 950mm Tilt Only	VBL 550x950 T 2018	VBL 660x950 T 2018	VBL 780x950 T 2018	VBL 940x950 T 2018	VBL 1140x950 T 2018	VBL 1340x950 T 2018
H = 950mm Tilt/Turn	VBL 550x950 TT 2018	VBL 660x950 TT 2018	VBL 780x950 TT 2018	VBL 940x950 TT 2018	VBL 1140x950 TT 2018	VBL 1340x950 TT 2018
WHITE FINISH						
To order White Finish please insert the prefix 'WF' to the codes above i.e. WFVBL 780x950 TT 2018 etc.						



Triple						
Nominal W x H (mm)	1675mm wide	2005mm wide	2365mm wide	2845mm wide	3445mm wide	4045mm wide
PINE FINISH						
H= 600mm Tilt Only	VBL 550x600 T 3018	VBL 660x600 T 3018	VBL 780x600 T 3018	-	-	-
H = 950mm Tilt Only	VBL 550x950 T 3018	VBL 660x950 T 3018	VBL 780x950 T 3018	-	-	-
H = 950mm Tilt/Turn	VBL 550x950 TT 3018	VBL 660x950 TT 3018	VBL 780x950 TT 3018	-	-	-
WHITE FINISH						
To order White Finish please insert the prefix 'WF' to the codes above i.e. WFVBL 780x950 TT 3018 etc.						



Technical Information

Vertical Element Cross Section

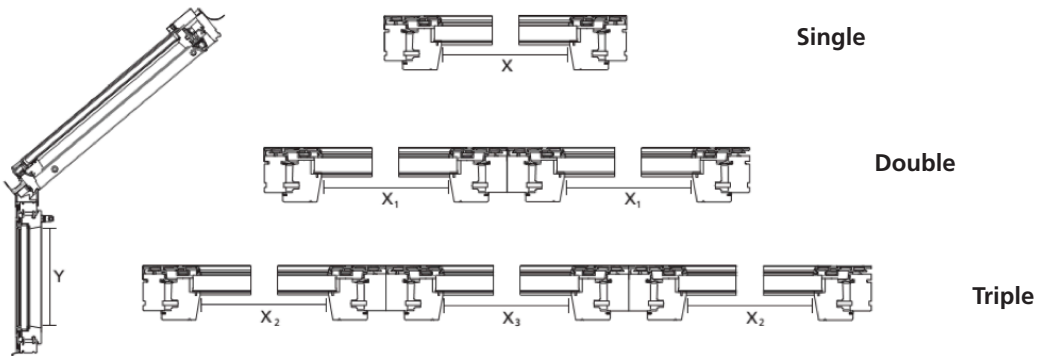
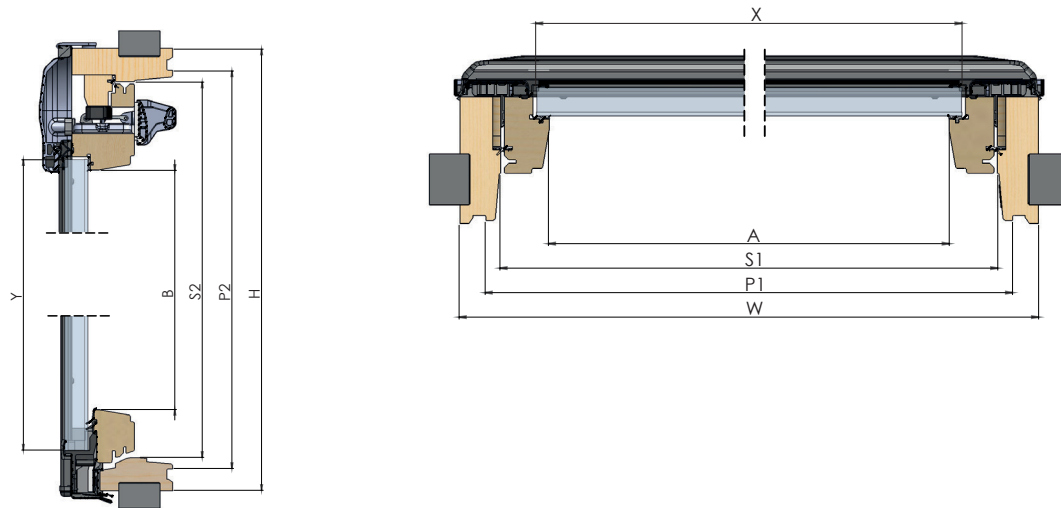


Table to show the visible glazing on the vertical elements of a Vertical Bi-Lite

vertical window size	Single		Double		Triple		
	x	y	x ¹	y	x ²	x ³	y
600	565	385	585	385	595	615	385
950	565	735	585	735	595	615	735

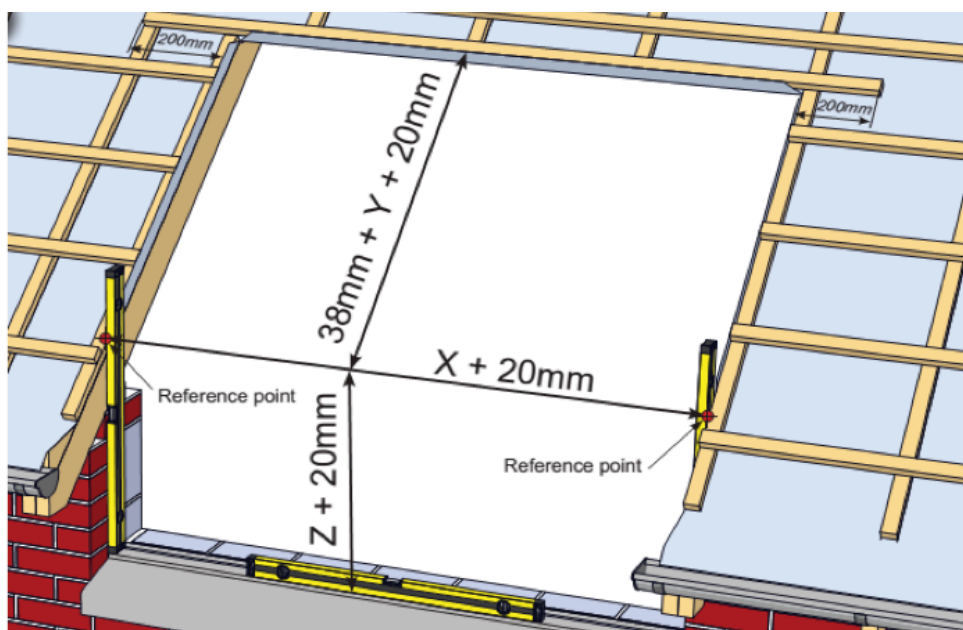
Roof Window Cross Section



Technical Information

Window Type	Window Size	External Frame Size		Sash Size		Glazing Size		Visible Glazing Size		Internal Reveal Size		Natural Daylight Area (m ²)	Equivalent Ventilation Area (mm ²)	Structural Opening Size Required	
		(mm)		(mm)		(mm)		(mm)		(mm)				(mm)	
		W	H	S1	S2	X	Y	A	B	P1	P2			W	H
TCP	01	550	780	460	690	396	593	370	558	496	720	0.206	3,337	590	820
TCP	02	550	980	460	890	396	793	370	758	496	920	0.280	3,337	590	1020
TCP	01C	550	1180	460	1090	396	993	370	958	496	1120	0.354	3,337	590	1220
TCP	03	660	1180	570	1090	506	993	480	958	606	1120	0.460	4,005	700	1220
TCP	04	780	980	690	890	626	793	600	758	726	920	0.455	4,733	820	1020
TCP	05	780	1180	690	1090	626	993	600	958	726	1120	0.575	4,733	820	1220
TCP	06	780	1400	690	1310	626	1213	600	1178	726	1340	0.707	4,733	820	1440
TCP	07F	940	1400	850	1310	786	1213	760	1178	886	1340	0.895	5,704	980	1440
TCP	07	940	1600	850	1510	786	1413	760	1378	886	1540	1.047	5,704	980	1640
TCP	08	1140	1180	1050	1090	986	993	960	958	1086	1120	0.920	6,917	1180	1220
TCP	09	1340	980	1250	890	1186	793	1160	758	1286	920	0.879	8,131	1380	1020
TCP	10	1340	1400	1250	1310	1186	1213	1160	1178	1286	1340	1.366	8,131	1380	1440
TCP	01F	550	1400	460	1310	396	1213	370	1178	496	1340	0.436	3,337	590	1440
TCP	01G	550	1600	460	1510	396	1413	370	1378	496	1540	0.510	3,337	590	1640
TCP	03A	660	780	570	690	506	593	480	558	606	720	0.268	4,005	700	820
TCP	03B	660	980	570	890	506	793	480	758	606	920	0.364	4,005	700	1020
TCP	03F	660	1400	570	1310	506	1213	480	1178	606	1340	0.565	4,005	700	1440
TCP	03G	660	1600	570	1510	506	1413	480	1378	606	1540	0.661	4,005	700	1640
TCP	04A	780	780	690	690	626	593	600	558	726	720	0.335	4,733	820	820
TCP	04G	780	1600	690	1510	626	1413	600	1378	726	1540	0.827	4,733	820	1640
TCP	07A	940	780	850	690	786	593	760	558	886	720	0.424	5,704	980	820
TCP	07B	940	980	850	890	786	793	760	758	886	920	0.576	5,704	980	1020
TCP	07C	940	1180	850	1090	786	993	760	958	886	1120	0.728	5,704	980	1220
TCP	08A	1140	780	1050	690	986	593	960	558	1086	720	0.536	6,917	1180	820
TCP	08B	1140	980	1050	890	986	793	960	758	1086	920	0.728	6,917	1180	1020
TCP	08F	1140	1400	1050	1310	986	1213	960	1178	1086	1340	1.131	6,917	1180	1440
TCP	08G	1140	1600	1050	1510	986	1413	960	1378	1086	1540	1.323	6,917	1180	1640
TCP	09A	1340	780	1250	690	1186	593	1160	558	1286	720	0.647	8,131	1380	820
TCP	09C	1340	1180	1250	1090	1186	993	1160	958	1286	1120	1.111	8,131	1380	1220
TCP	09G	1340	1600	1250	1510	1186	1413	1160	1378	1286	1540	1.598	8,131	1380	1640

Structural Opening Sizes



GB

Unit 3 Gateway Road, Burton Gateway,
Burton upon Trent, DE13 8FL

T: +44 (0) 28 8676 7512
E: technicalsupport@keylite.co.uk

NI & ROI

KG2, Ballyreagh Industrial Est. Sandholes
Road, Cookstown, Co. Tyrone, BT80 9DG