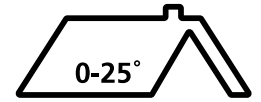


Flat Roof Dome Smoke Ventilators



Keylite Smoke Ventilator Domes are electrically operated smoke vents designed to allow the release of smoke from buildings in the case of a fire. This enables the key fire escape routes, such as stairwells and corridors, to be kept visible with minimal smoke build up.

Features

- ▶ All Keylite Flat Roof Smoke Ventilators are fully certified and compliant with EN 12101-2.
- ▶ Wide range of sizes available to provide opening vents with Smoke Ventilation areas of 1.0m² & 1.5m²
- ▶ Opens to 160° within 60 seconds.
- ▶ Accessories include control panels, detectors and manual control points tested and certified to BSEN 12101-9 and BSCN 12101-10.
- ▶ Actuator can be off set for access purposes as well.
- ▶ 300mm PVC upstand
- ▶ Approved Document L- Conservation of fuel and power

Guarantee

- ▶ Keylite Flat Roof Domes have a 10 Year guarantee.
- ▶ Electric Actuator - 24 month guarantee.

Dome Options

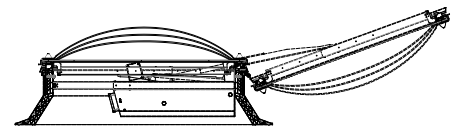
Glazing	Triple Skin Polycarbonate glazing
Finish	Clear, Frosted or Heat reflection
Light Transmission	Clear 70 %,Frosted 50%, Heat Reflection 45%
Fire Rating	BS 476: Part 3 AA BS 476: Part 7 Class 1 Class 0 for Building Regulation Purposes
Thermal Value	U-Value of 1.78W/m ² k. Hot Box tested to BS EN ISO 12567-2:2005

Upstands

Construction	Extruded Multi Chamber PVCu proprietary upstand
Finish	Pre-finished white internally
Thermal Value	U-Value of 1.0W/m ² k independently Hot Box tested
Insulation	Can accommodate up to 150mm of roof insulation
Waterproofing	Suitable for build-up felt, asphalt, single ply, hot melt and liquid applied membranes

Ventilation Options

Construction	Proprietary extruded PVCu hinged opening frame
Finish	Pre-finished white internally
Operation	Motorised Linear 24v DC Actuator Opening to 160°

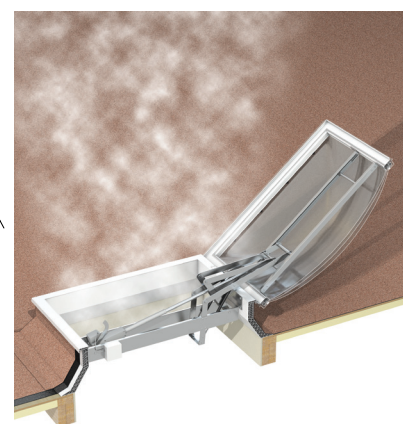
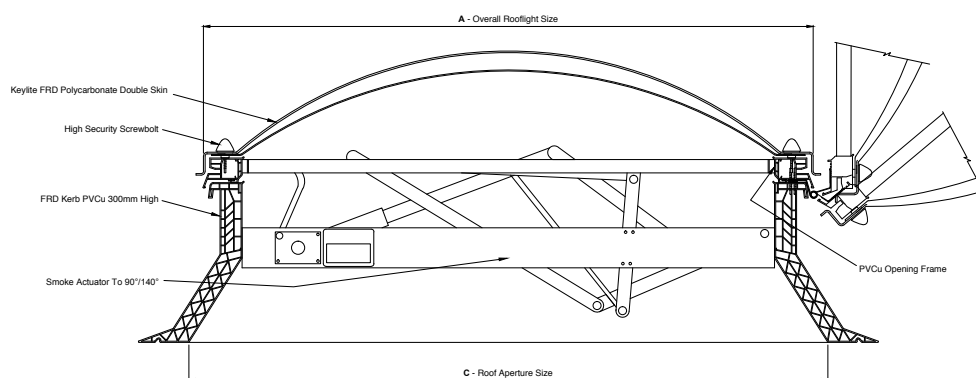


Technical Information

Window Type	Window Size	Unit Size		Structural Opening Size Required		Daylight Size		Geometric Area (m ²)	Aerodynamic Area (m ²)
		(mm)		(mm)		(mm)			
		W	H	W	H	W	H		
FRD-AOV	S10	1000	1000	1025	1025	800	800	0.64	0.54
FRD-AOV	S125	1250	1250	1275	1275	1050	1050	1.10	1.00
FRD-AOV	R1218	1200	1800	1225	1825	1000	1600	1.60	1.50
FRD-AOV	S15	1500	1500	1525	1525	1300	1300	1.69	1.59
FRD-AOV	S9	900	900	925	925	700	700	0.49	0.39
FRD-AOV	R912	900	1200	925	1225	700	1000	0.70	0.60
FRD-AOV	R915	900	1500	925	1525	700	1300	0.91	0.81
FRD-AOV	R917	900	1700	925	1725	700	1500	1.05	0.95
FRD-AOV	R918	900	1800	925	1825	700	1600	1.12	1.02
FRD-AOV	R922	900	2200	925	2225	700	2000	1.40	1.30
FRD-AOV	R924	900	2400	925	2425	700	2200	1.54	1.44
FRD-AOV	S95	950	950	975	975	750	750	0.56	0.46
FRD-AOV	R95125	950	1250	975	1275	750	1050	0.79	0.69
FRD-AOV	R95145	950	1450	975	1475	750	1250	0.94	0.84
FRD-AOV	R95185	950	1850	975	1875	750	1650	1.24	1.14
FRD-AOV	R95195	950	1950	975	1975	750	1750	1.31	1.21
FRD-AOV	R95245	950	2450	975	2475	750	2250	1.69	1.59
FRD-AOV	R1013	1000	1300	1025	1325	800	1100	0.88	0.78
FRD-AOV	R1015	1000	1500	1025	1525	800	1300	1.04	0.94
FRD-AOV	R1016	1000	1600	1025	1625	800	1400	1.12	1.02
FRD-AOV	R1018	1000	1800	1025	1825	800	1600	1.28	1.18
FRD-AOV	R1019	1000	1900	1025	1925	800	1700	1.36	1.26
FRD-AOV	R1020	1000	2000	1025	2025	800	1800	1.44	1.34
FRD-AOV	R1022	1000	2200	1025	2225	800	2000	1.60	1.50
FRD-AOV	R1024	1000	2400	1025	2425	800	2200	1.76	1.66
FRD-AOV	R1025	1000	2500	1025	2525	800	2300	1.84	1.74
FRD-AOV	S11	1100	1100	1125	1125	900	900	0.81	0.71
FRD-AOV	R1114	1100	1400	1125	1425	900	1200	1.08	0.98
FRD-AOV	R1117	1100	1700	1125	1725	900	1500	1.35	1.25
FRD-AOV	S12	1200	1200	1225	1225	1000	1000	1.00	0.90
FRD-AOV	R1215	1200	1500	1225	1525	1000	1300	1.30	1.20
FRD-AOV	R1217	1200	1700	1225	1725	1000	1500	1.50	1.40
FRD-AOV	R1218	1200	1800	1225	1825	1000	1600	1.60	1.50
FRD-AOV	R1221	1200	2100	1225	2125	1000	1900	1.90	1.80
FRD-AOV	R1222	1200	2200	1225	2225	1000	2000	2.00	1.90
FRD-AOV	R1224	1200	2400	1225	2425	1000	2200	2.20	2.10
FRD-AOV	R1225	1200	2500	1225	2525	1000	2300	2.30	2.20
FRD-AOV	R1227	1200	2700	1225	2725	1000	2500	2.50	2.40
FRD-AOV	R1230	1200	3000	1225	3025	1000	2800	2.80	2.70
FRD-AOV	R125185	1250	1850	1275	1875	1050	1650	1.73	1.63
FRD-AOV	R125245	1250	2450	1275	2475	1050	2250	2.36	2.26
FRD-AOV	S13	1300	1300	1325	1325	1100	1100	1.21	1.11
FRD-AOV	R1316	1300	1600	1325	1625	1100	1400	1.54	1.44
FRD-AOV	R1319	1300	1900	1325	1925	1100	1700	1.87	1.77
FRD-AOV	R1325	1300	2500	1325	2525	1100	2300	2.53	2.43
FRD-AOV	S14	1400	1400	1425	1425	1200	1200	1.44	1.34
FRD-AOV	R1416	1400	1600	1425	1625	1200	1400	1.68	1.58
FRD-AOV	R1417	1400	1700	1425	1725	1200	1500	1.80	1.70
FRD-AOV	R1420	1400	2000	1425	2025	1200	1800	2.16	2.06
FRD-AOV	R1423	1400	2300	1425	2325	1200	2100	2.52	2.42
FRD-AOV	R1426	1400	2600	1425	2625	1200	2400	2.88	2.78
FRD-AOV	R1518	1500	1800	1525	1825	1300	1600	2.08	1.98
FRD-AOV	R1521	1500	2100	1525	2125	1300	1900	2.47	2.37
FRD-AOV	R1522	1500	2200	1525	2225	1300	2000	2.60	2.50
FRD-AOV	R1524	1500	2400	1525	2425	1300	2200	2.86	2.76
FRD-AOV	R1525	1500	2500	1525	2525	1300	2300	2.99	2.89

FRD-AOV	R1527	1500	2700	1525	2725	1300	2500	3.25	3.15
FRD-AOV	R1530	1500	3000	1525	3025	1300	2800	3.64	3.54
FRD-AOV	S16	1600	1600	1625	1625	1400	1400	1.96	1.86
FRD-AOV	S17	1700	1700	1725	1725	1500	1500	2.25	2.15
FRD-AOV	S175	1750	1750	1775	1775	1550	1550	2.40	2.30
FRD-AOV	S18	1800	1800	1825	1825	1600	1600	2.56	2.46
FRD-AOV	R1821	1800	2100	1825	2125	1600	1900	3.04	2.94
FRD-AOV	R1822	1800	2200	1825	2225	1600	2000	3.20	3.10
FRD-AOV	R1824	1800	2400	1825	2425	1600	2200	3.52	3.42
FRD-AOV	R1830	1800	3000	1825	3025	1600	2800	4.48	4.38

Cross - Section



Keylite Smoke Ventilation Dome Polycarbonate Triple Skin Rooflight Complete With Splayed PVCu 300mm High Kerb, and PVCu Opening Frame For Smoke Ventilation By Electric Actuator To 160°, Installed To Prepared Roof Aperture.

Technical Data

Actuator	LM 100 160
Type	Motorised linear
Voltage	24 DC
Current (with load)	Max. 4.0 Amp
Opening angle	160° or 90°
Ambient operating temperature	-15°C + 70°C
Operating time	60 seconds
Thrust force	2500 N
Close force	2500 N
Switching	Electronic limit
Protection degree	Min. IP54
Product life	Min. 10,000 comfort cycles
Weight	25.1kg
Snow load	500 or 1000 N/m ²
Wind load	1500 N/m ²

Product Reference: Keylite Flat Roof Dome With Automatically Opening Vent 160°
Type: Dome
Size: Specify From Keylite Product Literature
Frame: Screwbolt - High Security
Kerb: PVCu Height 300mm
Material: PVCu - White Self Finish
Glazing Details: Polycarbonate Triple Skin
Finish: Specify from Keylite Product Literature
Other Requirements: PVCu Opening Frame For Smoke Ventilation By Electric Actuator To 160°
Fixing: Please Consult Keylite Technical Department For Recommendations

GB
 Unit 3 Gateway Road, Burton Gateway,
 Burton upon Trent, DE13 8FL

NI & ROI
 KG2, Ballyreagh Industrial Est. Sandholes
 Road, Cookstown, Co. Tyrone, BT80 9DG



T: +44 (0) 28 8676 7512
 E: technicalsupport@keylite.co.uk