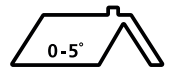
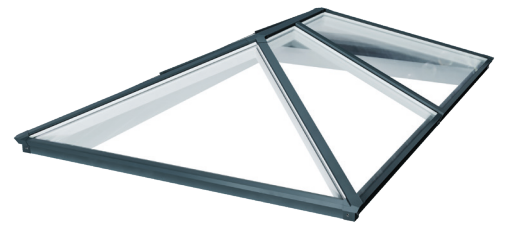


Flat Roof Lantern System

The Keylite Roof Lantern creates the ultimate daylighting experience with the ability to convert dull rooms into vibrant living spaces. Ideal for flat roof extensions, these elegant roof lanterns facilitate daylighting on a grand scale.



Features

- ▶ **Modern Design** – The Keylite Flat Roof Lantern comes with a slender aluminium frame offering clean sightlines and neat junctions.
- ▶ **Safety Glazing As Standard** – All Keylite Flat Roof Lanterns are supplied with a safety laminated inner pane, protecting those below from falling glass in the event of accidental breakage.
- ▶ **Rapid Installation** – These units have been designed with the installer in mind. Unique features offer a fast installation process thanks to pre-machined holes and gaskets which enable the glass to be installed with no wet seal.
- ▶ **Thermal Efficiency** – The introduction of thermally broken frame profiles when coupled with Low-E double glazing, greatly enhances the thermal performance of these products.
- ▶ **Glazing Options** – Choice of clear self-cleaning or blue solar-control self-cleaning glass as standard. With four pane glass configuration for a contemporary look, with an option of a six pane configuration for a more traditional look also available.
- ▶ **Precision Casts** - Precise casting at all junctions provide a premium appearance, structural stability and weatherightness.
- ▶ **Glazing Retainers** – Easy to fit glass stops, are mounted to the glazing elements and slot seamlessly into the frame profiles, simplifying the glazing installation process.

Application

- ▶ Keylite recommend installing the Flat Roof Lantern on a site-formed upstand that is a minimum of 150mm in height and 85mm in width.

Maintenance

- ▶ All Keylite Flat Roof Lanterns come with a range of high performance self-cleaning glass as standard.
- ▶ The glazing panes of a Keylite Flat Roof Lantern can be cleaned with a soft, clean cloth/chamois or non-metal squeegee. Clean water will be sufficient for cleaning the panes.

Guarantee

- ▶ **10 Years** - Keylite's hassle free guarantee on lanterns.

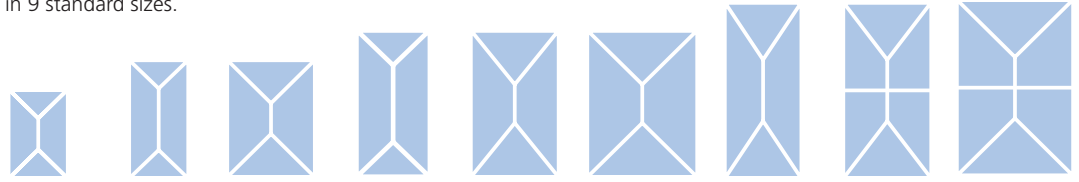
Finish Options

- ▶ **Interior** - White - RAL 9010
- ▶ **Exterior** - Grey - RAL 7016
Black - RAL 9005



Sizing Options

The Keylite Roof Lantern is supplied in 9 standard sizes.

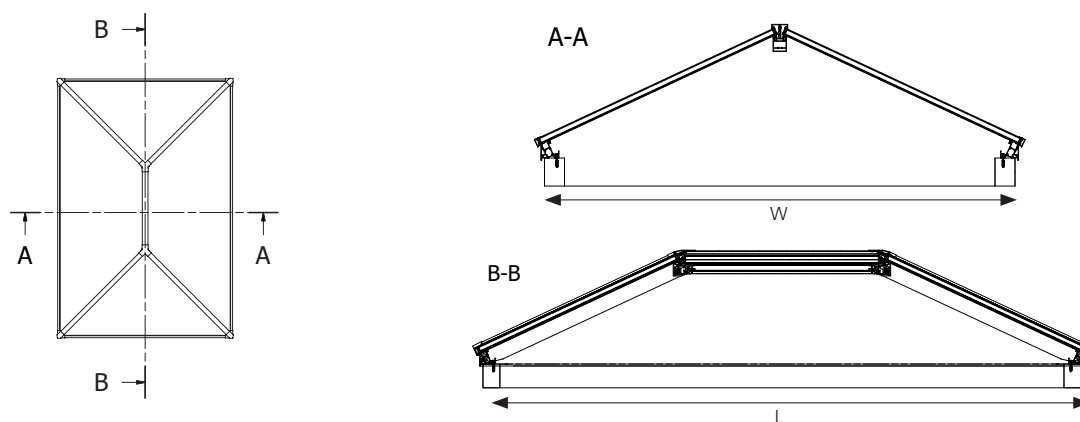


Roof Lantern Code	FRL 150100	FRL 200100	FRL 200150	FRL 250100	FRL 250150	FRL 250200	FRL 300100	FRL 300150	FRL 300200
External Frame Size LxW (mm)	1500x1000	2000x1000	2000x1500	2500x1000	2500x1500	2500x2000	3000x1000	3000x1500	3000x2000
Approx. Height (mm)	348	348	464	348	464	581	348	464	581

Glazing Performance

Glazing Option - Results			Clear Self-Cleaning	Blue Solar-Control Self Cleaning
Light	Reflectance for standard illuminant D65 (*)	ρ_v	0.17	0.14
	Reflectance for standard illuminant D65 (**)	ρ_v	0.17	0.16
	Transmittance for standard illuminant D65	τ_v	0.76	0.52
Energy	Total solar energy transmittance (solar factor) EN410 (%) (*) EN410 (%) (*)	g	0.66	0.46
	Shading coefficient (+g_DIN/0.87) (*)	sc	0.76	0.53
	Thermal Conductance (U-Value W/m^2K)	U_g	1.2	1.2
Sound	Sound Transmittance	dB	35	25

Cross Sections



GB
Unit 3 Gateway Road, Burton Gateway,
Burton upon Trent, DE13 8FL

NI & ROI
KG2, Ballyreagh Industrial Est. Sandholes
Road, Cookstown, Co. Tyrone, BT80 9DG

T: +44 (0) 28 8676 7512
E: technicalsupport@keylite.co.uk